

- True modularity with Norgren Quikclamp™ connections
- Quick release bayonet bowl
- Lubricator flow sensor provides a nearly constant oil/air ratio over a wide range of air flows
- All around (360°) visibility of the lubricator sight-feed dome simplifies installation and adjustment
- Regulator balanced valve minimizes effect of variation in the inlet pressure on the outlet pressure

Use Micro-Fog models in applications containing one or more points of lubrication.

Use Oil-Fog models to lubricate a single tool, cylinder, or other air driven device.

### Technical Data

Fluid: Compressed air

Maximum pressure

Transparent bowl: 150 psig (10 bar)

Metal bowl (Manual or semi automatic drain): 250 psig (17 bar)

Automatic drain: 150 psig (10 bar)

Operating temperature\*

Transparent bowl: 0° to 125°F (-20° to 50°C)

Metal bowl: 0° to 150°F (-20° to 65°C)

\* Air supply must be dry enough to avoid ice formation at temperatures below 35°F (2°C).

Particle removal: 5 µm, 25 µm, or 40 µm filter element

Manual drain connection: Will fit 1/8-27 and 1/8-28 pipe thread

Semi automatic drain connection: Push on 5/16" (8 mm) ID tube

Semi automatic drain operating conditions (pressure operated)

Bowl pressure required to close drain: Greater than 1.5 psig (0.1 bar)

Bowl pressure required to open drain: Less than 1.5 psig (0.1 bar)

Minimum air flow required to close drain: 1 scfm (0.5 dm³/s)

Manual operation: Lift stem to drain bowl

Automatic drain connection: Will fit 1/8-27 and 1/8-28 pipe thread

Automatic drain operating conditions (float operated)

Bowl pressure required to close drain: Greater than 5 psig (0.3 bar)

Bowl pressure required to open drain: Less than 3 psig (0.2 bar)

Minimum air flow required to close drain: 0.2 scfm (0.1 dm³/s)

Manual operation: Depress pin inside drain outlet to drain bowl

Nominal bowl size

Short bowl: 1.9 fluid ounce (56 ml)

Long bowl: 2.2 fluid ounce (65 ml)

Gauge ports: 1/8 PTF with PTF main ports

Rc1/8 with ISO Rc main ports

Rc1/8 with ISO G main ports

Recommended lubricants: See Section ALE-29.

Materials

Body: Zinc

Bonnet: Acetal

Regulator valve: Brass

Regulator bottom plug: Acetal

Bowl

Transparent: Polycarbonate

Transparent with guard: Polycarbonate, zinc guard

Metal: Zinc

Metal bowl liquid level indicator lens: Transparent nylon

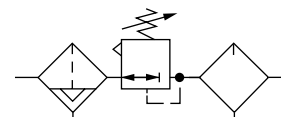
Sight-Feed dome: Transparent nylon

Element: Sintered polypropylene

Elastomers: Neoprene, nitrile



### ISO Symbols



Filter with automatic drain, relieving regulator,  
lubricator with manual drain.

**See Section ALE-25 for Accessories**



**Ordering information.** Models listed include PTF threads. Filter (F) includes automatic drain, long transparent bowl without guard, and a 40µm element. Regulator (R) is relieving type with knob adjustment, 150 psig (10 bar) regulating spring, and gauge. Lubricator (L) is a Micro-Fog model with 1/4 turn manual drain and long transparent bowl without guard.

| Combination Unit Type               | Port Size | Model                | Weight lb (kg) |
|-------------------------------------|-----------|----------------------|----------------|
| Filter-Regulator-Lubricator (F-R-L) | 1/4"      | C72A-2AK-AL3-RMG-QLN | 3.23 (1.47)    |
|                                     | 3/8"      | C72A-3AK-AL3-RMG-QLN | 3.23 (1.47)    |

**Alternative Models**



|  |              |                               |   |            |
|--|--------------|-------------------------------|---|------------|
| Shutoff/Lockout Valve, Quikmount Standard Combination (No Shutoff/Lockout Valve, no Quikmount) | Substitute C |                               | Accessories                             | Substitute |
| With Shutoff/Lockout valve on inlet  | D            |                               | Quikclamp wall brackets                 | B          |
| With Quikmount pipe adapters on inlet and outlet   | E            |                               | No accessories                          | N          |
| With Shutoff/Lockout Valve on inlet and Quikmount pipe adapter on outlet                       | G            |                               | Lubricator Bowl                         | Substitute |
| Combination Unit Type  | Substitute   |                               | Short metal with liquid level indicator | D          |
| Micro-Fog F-R-L  | A            |                               | Long metal with liquid level indicator  | E          |
| Oil-Fog F-R-L  | B            |                               | Short transparent without guard         | T          |
| Port Size  | Substitute   |                               | Long transparent without guard          | L          |
| 1/4"   | 2            |                               | Long transparent with guard             | W          |
| 3/8"   | 3            |                               | Lubricator Drain                        | Substitute |
| Threads  | Substitute   |                               | Closed bottom                           | E          |
| PTF  | A            |                               | Manual, 1/4 turn                        | Q          |
| ISO Rc taper   | B            |                               | Regulator Gauge                         | Substitute |
| ISO G parallel   | G            |                               | With gauge                              | G          |
| Pressure Adjustment  | Substitute   |                               | No gauge                                | N          |
| Knob   | K            | Regulation spring **          | Substitute                              |            |
| T-bar  | T            | 5 to 30 psig (0.3 to 2 bar)   | C                                       |            |
| Filter Drain   | Substitute   | 5 to 60 psig (0.3 to 4 bar)   | F                                       |            |
| Automatic †  | A            | 5 to 150 psig (0.3 to 10 bar) | M                                       |            |
| Manual, 1/4 turn   | Q            | Regulator Diaphragm           | Substitute                              |            |
| Semi automatic   | S            | Non-relieving                 | N                                       |            |
| Filter Bowl  | Substitute   | Relieving                     | R                                       |            |
| Short metal with liquid level indicator  | D            | Filter Element                | Substitute                              |            |
| Long metal with liquid level indicator   | E            | 5 µm                          | 1                                       |            |
| Short transparent without guard  | T            | 25 µm                         | 2                                       |            |
| Long transparent without guard   | L            | 40 µm                         | 3                                       |            |
| Long transparent with guard  | W            |                               |   |            |

\*\* Outlet pressure can be adjusted to pressures in excess of, and less than, those specified. Do not use these units to control pressures outside of the specified ranges.  
 † Supplied in long bowl options only.

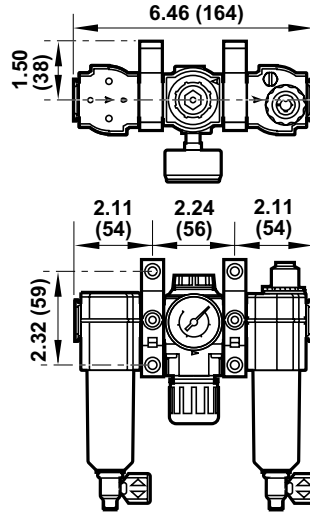


## F72G-R72-L72 Combination Unit

All Dimensions in Inches (mm)

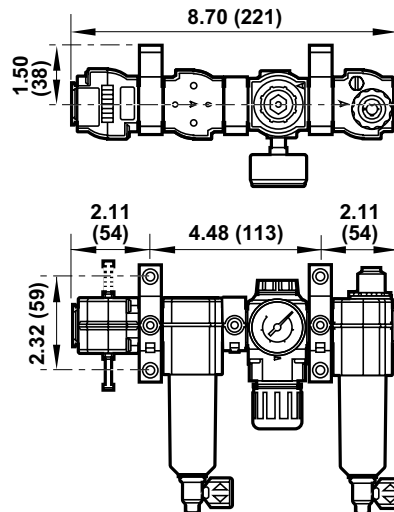
### Standard Micro-Fog Type C72A- Standard Oil-Fog Type C72B-

Shown with optionala Quikclamp wall  
bracket.



### Alternative Micro-Fog Type D72A- Alternative Oil-Fog Type D72B- Includes Shutoff/Lockout valve.

Shown with optional Quikclamp wall  
brackets.



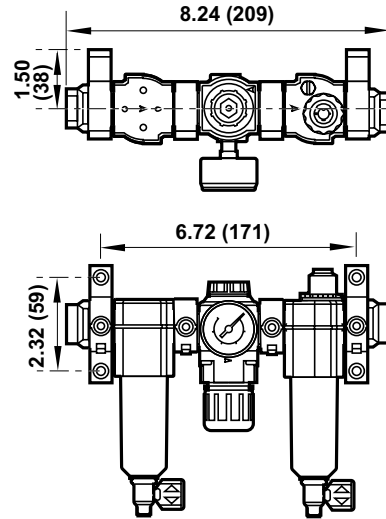
## F72G-R72-L72 Combination Unit

All Dimensions in Inches (mm)



**Alternative Micro-Fog Type E72A-  
Alternative Oil-Fog Type E72B-  
Includes Quikmount pipe adapters.**

Shown with optional gauge and  
Quikclamp wall brackets.



**Alternative Micro-Fog Type G72A-  
Alternative Oil-Fog Type G72B-**

**Includes Shutoff/Lockout valve and  
Quikmount pipe adapter.**  
Shown with optional gauge and  
Quikclamp wall brackets.

