

- True modularity with Norgren Quikclamp™ connections
- Quick release bayonet bowl
- Lubricator flow sensor provides a nearly constant oil/air ratio over a wide range of air flows
- All around (360°) visibility of the lubricator sight-feed dome simplifies installation and adjustment
- Regulator balanced valve minimizes effect of variation in the inlet pressure on the outlet pressure

Use Micro-Fog models in applications containing one or more points of lubrication.

Use Oil-Fog models to lubricate a single tool, cylinder, or other air driven device.



Technical Data

Fluid: Compressed air

Maximum pressure

Transparent bowl: 150 psig (10 bar)

Metal bowl: 250 psig (17 bar)

Operating temperature*

Transparent bowl: 0° to 125°F (-20° to 50°C)

Metal bowl: 0° to 175°F (-20° to 80°C)

* Air supply must be dry enough to avoid ice formation at temperatures below 35°F (2°C).

Particle removal: 5 µm, 25 µm, or 40 µm filter element

Manual drain connection: Will fit 1/8-27 and 1/8-28 pipe thread

Automatic drain connection: Will fit 1/8-27 and 1/8-28 pipe thread

Automatic drain operating conditions (float operated)

Bowl pressure required to close drain: Greater than 5 psig (0.3 bar)

Bowl pressure required to open drain: Less than 3 psig (0.2 bar)

Minimum air flow required to close drain: 0.2 scfm (0.1 dm³/s)

Manual operation: Depress pin inside drain outlet to drain bowl

Nominal bowl size: 3.5 fluid ounce (0.1 liter)

Gauge ports:

1/4 PTF with PTF main ports

ISO Rc1/4 with ISO Rc main ports

ISO Rc1/8 with ISO G main ports

Recommended lubricants: See Section ALE-29.

Materials

Body: Aluminum

Bonnet: Aluminum or Zinc

Regulator valve: Brass

Regulator bottom plug: Acetal

Bowl

Transparent: Polycarbonate

Transparent with guard: Polycarbonate, steel guard

Metal: Aluminum

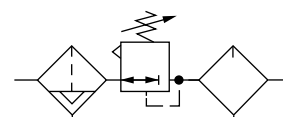
Metal bowl liquid level indicator lens: Transparent nylon

Sight-Feed dome: Transparent nylon

Element: Sintered plastic

Elastomers: Neoprene and nitrile

ISO Symbols



Filter with automatic drain, relieving regulator,
lubricator with manual drain.

See Section ALE-25 for Accessories



Ordering information

Models listed in order table have PTF threads. Filter (F) has automatic drain, metal bowl with liquid level indicator, and a 40 µm element. Regulator (R) has knob adjustment, relieving diaphragm, 150 psig (10 bar) regulating spring, and gauge. Lubricator (L) is a Micro-Fog model with 1/4 turn manual drain and metal bowl with liquid level indicator.

Combination Unit Type	Port Size	Model	Weight lb (kg)
Filter-Regulator-Lubricator (F-R-L)	1/4"	C73A-2AK-AD3-RMG-QDN	4.36 (1.98)
	3/8"	C73A-3AK-AD3-RMG-QDN	4.36 (1.98)
	1/2"	C73A-4AK-AD3-RMG-QDN	4.36 (1.98)

Alternative Models



Lockout Valve/ Quikmount	Substitute
Standard Combination (No Lockout Valve, no Quikmount)	C
With Lockout valve on inlet	D
With Quikmount pipe adapters on inlet and outlet	E
With Lockout valve on inlet and Quikmount pipe adapter on outlet	G

Combination Unit Type	Substitute
Micro-Fog F-R-L	A
Oil-Fog F-R-L	B

Port Size	Substitute
1/4"	2
3/8"	3
1/2"	4

Threads	Substitute
PTF	A
ISO Rc taper	B
ISO G parallel	G

Pressure Adjustment	Substitute
Knob	K
T-bar	T

Filter Drain	Substitute
Automatic	A
Manual, 1/4 turn	Q

Filter Bowl	Substitute
Metal with liquid level indicator	D
Transparent with steel guard	P
Transparent	T

Accessories	Substitute
Accessories B and D	A
Quikclamp wall brackets	B
Accessories B and Q	C
Filter service indicator	D
Accessories B , D , and Q	H
No accessories	N
Lubricator quick fill nipple	Q

Lubricator Bowl	Substitute
Metal with liquid level indicator	D
Transparent with guard	P
Transparent	T

Lubricator Drain	Substitute
Closed bottom	E
Manual, 1/4 turn	Q

Regulator Gauge	Substitute
With gauge	G
No gauge	N

Regulation spring *	Substitute
5 to 60 psig (0.3 to 4 bar)	F
5 to 150 psig (0.3 to 10 bar)	M
10 to 250 psig (0.7 to 17 bar)**	S

Regulator Diaphragm	Substitute
Non-relieving	N
Relieving	R

Filter Element	Substitute
5 µm	1
25 µm	2
40 µm	3

* Outlet pressure can be adjusted to pressures in excess of, and less than, those specified. Do not use these units to control pressures outside of the specified ranges.

** Units with 250 psig (17 bar) outlet pressure range are available only with the standard metal bowl.

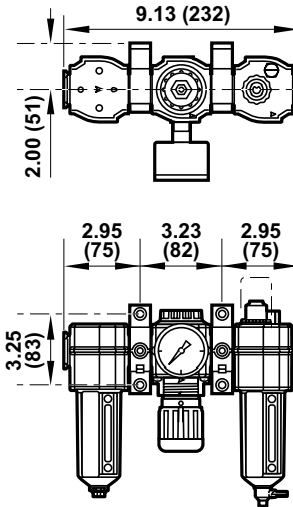


F73G-R73-L73 Combination Unit

All Dimensions in Inches (mm)

Standard Micro-Fog Type C73A- Standard Oil-Fog Type C73B-

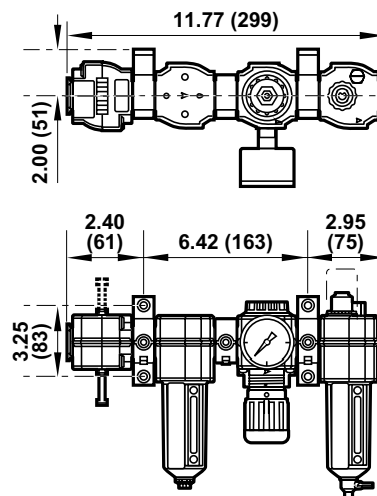
Shown with optional Quikclamp
wall bracket.



Alternative Micro-Fog Type D73A- Alternative Oil-Fog Type D73B-

Includes lockout valve.

Shown with optional
Quikclamp wall bracket.



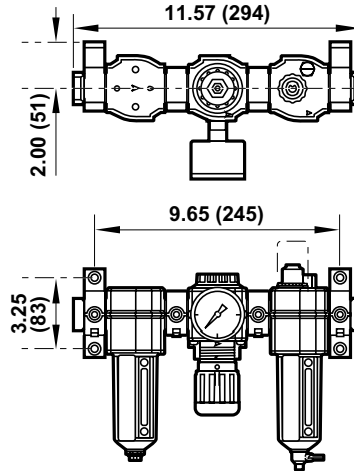
F73G-R73-L73 Combination Unit

All Dimensions in Inches (mm)



**Alternative Micro-Fog Type E73A-
Alternative Oil-Fog Type E73B-
Includes Quikmount pipe adapters.**

Shown with optional
Quikclamp wall bracket.



**Alternative Micro-Fog Type G73A-
Alternative Oil-Fog Type G73B-**

**Includes lockout valve and
Quikmount pipe adapter.**

Shown with optional
Quikclamp wall bracket.

