

- True modularity with Norgren Quikclamp™ connections
- Quick release bayonet bowl
- Lubricator flow sensor provides a nearly constant oil/air ratio over a wide range of air flows
- All around (360°) visibility of the lubricator sight-feed dome simplifies installation and adjustment
- Regulator balanced valve minimizes effect of variation in the inlet pressure on the outlet pressure

Use Micro-Fog models in applications containing one or more points of lubrication.

Use Oil-Fog models to lubricate a single tool, cylinder, or other air driven device.



### Technical Data

Fluid: Compressed air

Maximum pressure

Transparent bowl: 150 psig (10 bar)

Metal bowl: 250 psig (17 bar)

Operating temperature\*

Transparent bowl: 0° to 125°F (-20° to 50°C)

Metal bowl: 0° to 175°F (-20° to 80°C)

\* Air supply must be dry enough to avoid ice formation at temperatures below 35°F (2°C).

Particle removal: 5 µm, 25 µm, or 40 µm filter element

Manual drain connection: Will fit 1/8-27 and 1/8-28 pipe thread

Automatic drain connection: Will fit 1/8-27 and 1/8-28 pipe thread

Automatic drain operating conditions (float operated)

Bowl pressure required to close drain: Greater than 5 psig (0.3 bar)

Bowl pressure required to open drain: Less than 3 psig (0.2 bar)

Minimum air flow required to close drain: 2 scfm (1 dm³/s)

Manual operation: Depress pin inside drain outlet to drain bowl

Nominal bowl size:

Standard: 7 fluid ounce (0.2 liter)

Optional size for lubricator: 1 quart US (1 liter)

Gauge Ports:

1/4" PTF with PTF main ports

Rc 1/4 with ISO Rc main ports

Rc 1/8 with ISO G main ports

Recommended lubricants: See Section ALE-29.

Materials

Body: Aluminum

Bonnet: Aluminum

Regulator valve: Brass

Regulator bottom plug: Acetal

Bowl

Transparent: Polycarbonate with steel bowl guard

Metal: Aluminum

Metal bowl liquid level indicator lens:

7 fluid ounce (0.2 liter): Transparent nylon

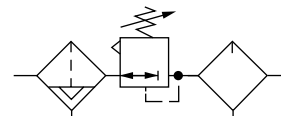
1 quart US (1 liter): Pyrex

Sight-Feed dome: Transparent nylon

Element: Sintered polypropylene

Elastomers: Neoprene and nitrile

### ISO Symbols



Filter with automatic drain, relieving regulator, lubricator with manual drain.

**See Section ALE-25 for Accessories**



**Ordering information.** Models listed include Micro-Fog lubricator, PTF threads, knob pressure adjustment, metal filter bowl with liquid level indicator and automatic drain, 40 µm filter element, relieving diaphragm, 150 psig (10 bar) regulating spring, gauge, 7 fluid oz. (0.2 liter) metal lubricator bowl with liquid level indicator and 1/4 turn manual drain.

Combination Unit Type	Port Size	Model	Weight lb (kg)
Filter-Regulator-Lubricator (F-R-L)	3/8"	C74A-3AK-AD3-RMG-QDN	6.22 (2.82)
	1/2"	C74A-4AK-AD3-RMG-QDN	6.04 (2.74)
	3/4"	C74A-6AK-AD3-RMG-QDN	5.91 (2.68)

**Alternative Models**



Lockout Valve/ Quikmount	Substitute
Standard combination (no lockout valve or Quikmount)	C
With lockout valve on inlet	D
With Quikmount pipe adapters on inlet and outlet	E
With Lockout valve on inlet and Quikmount pipe adapter on outlet	G

Combination Unit Type	Substitute
Micro-Fog F-R-L	A
Oil-Fog F-R-L	B

Port Size	Substitute
3/8"	3
1/2"	4
3/4"	6

Threads	Substitute
PTF	A
ISO Rc taper	B
ISO G parallel	G

Pressure Adjustment	Substitute
Knob	K
T-bar	T

Filter Drain	Substitute
Automatic	A
Manual, 1/4 turn	Q

Filter Bowl	Substitute
Metal with liquid level indicator	D
Transparent with guard	P

Filter Element	Substitute
5 µm	1
25 µm	2
40 µm	3

Accessories	Substitute
Quikclamp wall brackets and filter service indicator	A
Quikclamp wall brackets	B
Quikclamp wall brackets and lubricator quick fill nipple	C
Filter service indicator	D
Quikclamp wall brackets, filter service indicator and lubricator quick fill nipple	H
No accessories	N
Lubricator quick fill nipple	Q

Lubricator Bowl	Substitute
1 quart US (1 liter) metal with liquid level indicator	A
7 fluid oz. (0.2 liter) metal with liquid level indicator	D
7 fluid oz. (0.2 liter) transparent with zinc guard	P

Lubricator Drain	Substitute
Closed bottom	E
Manual, 1/4 turn	Q
Remote fill ††	R

Regulator Gauge	Substitute
With gauge	G
No gauge	N

Regulation spring **	Substitute
5 to 60 psig (0.3 to 4 bar)	F
5 to 150 psig (0.3 to 10 bar)	M
10 to 250 psig (0.7 to 17 bar)†	S

Regulator Diaphragm	Substitute
Non relieving	N
Relieving	R

\*\* Outlet pressure can be adjusted to pressures in excess of, and less than, those specified. Do not use these units to control pressures outside of the specified ranges.  
 † Units with 250 psig (17 bar) outlet pressure range are available only with the T-bar adjustment; therefore substitute **T** at the 7th position and **S** at the 12th position.  
 †† Use remote fill only with 7 fluid oz. (0.2 liter) bowls.

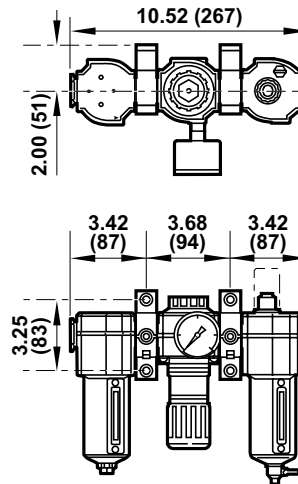


## F74G-R74-L74 Combination Unit

All Dimensions in Inches (mm)

### Standard Micro-Fog Type C74A- Standard Oil-Fog Type C74B-

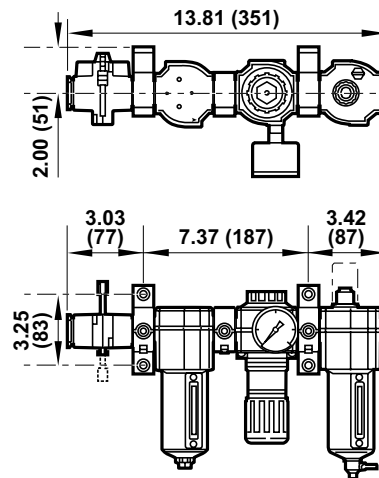
Shown with optional Quikclamp  
wall bracket.



### Alternative Micro-Fog Type D74A- Alternative Oil-Fog Type D74B-

Includes Shutoff/Lockout valve.

Shown with optional Quikclamp wall  
brackets.

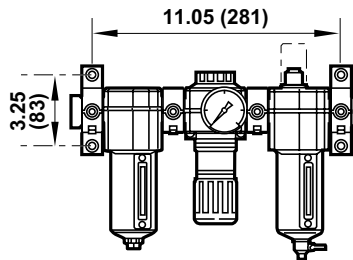
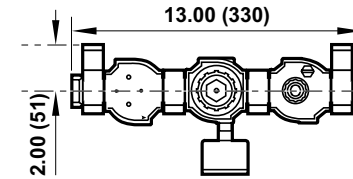


# F74G-R74-L74 Combination Unit

All Dimensions in Inches (mm)



**Alternative Micro-Fog Type E74A-  
Alternative Oil-Fog Type E74B-**  
Includes Quikmount pipe adapters.  
Shown with optional Quikclamp wall  
brackets.



**Alternative Micro-Fog Type G74A-  
Alternative Oil-Fog Type G74B-**  
Includes Shutoff/Lockout valve  
and Quikmount pipe adapter.  
Shown with optional Quikclamp wall  
brackets.

