

17 Series General Purpose Filter
3/4", 1", 1-1/4", 1-1/2" Port Sizes

Protects air operated devices by removing liquid and solid contaminants from compressed air

Screw-on bowl reduces maintenance time

Can be serviced without the use of tools or removal from the air line

Optional visual service indicator turns from green to red when the filter element needs to be cleaned or replaced

Optional electrical service indicator also available



Ordering Information. Models listed include automatic drain, 40 µm element, metal bowl with sight glass, and PTF threads.

Port Size	Model Numbers	Flow scfm (dm ³ /s)*	Weight lbs (kg)
3/4"	F17-600-A3DA	325 (153)	4.26 (1.93)
1"	F17-800-A3DA	425 (201)	4.15 (1.88)
1-1/4"	F17-A00-A3DA	425 (201)	4.39 (1.99)
1-1/2"	F17-B00-A3DA	425 (201)	4.30 (1.95)

* Typical flow with a 40 µm element at 90 psig (6.3 bar) inlet pressure and 5 psig (0.35 bar) pressure drop.

Alternative Models

F 1 7 - ★ ★ ★ - ★ ★ ★ ★

Port Size	Substitute
3/4"	6
1"	8
1-1/4"	A
1-1/2"	B

Option	Substitute
Not applicable	0

Service Indicator	Substitute
With (visual)	1
With (electrical)	4
Without	0

Threads	Substitute
PTF	A
ISO Rc taper	B
BSPP (1-1/2" ported units only)	C
ISO G parallel (not available with 1-1/2" ported units)	G

Bowl	Substitute
1 quart (1 liter) metal with sight glass	D
1 quart (1 liter) metal	M

Element	Substitute
5 µm	1
25 µm	2
40 µm	3
75 µm	4

Drain	Substitute
Automatic	A
Manual	M

ISO Symbols


Auto Drain

Manual Drain

F17 General Purpose Filters



Technical Data

Fluid: Compressed air
 Maximum pressure: 250 psig (17 bar)
 Operating temperature: * -30° to 175°F (-34° to 80°C)
 * Air supply must be dry enough to avoid ice formation at temperatures below 35°F (2°C)
 Particle removal: 5 µm, 25 µm, 40 µm, or 75 µm filter element
 Air quality: Within ISO 8573-1, Class 3 and Class 5 (particulates)
 Typical flow with a 40 µm element at 90 psig (6.3 bar) inlet pressure and 5 psig (0.35 bar) pressure drop: 425 scfm (201 dm³/s)
 Nominal bowl size: 1 quart (1 liter)
 Manual drain connection: Will fit 1/8-27 and 1/8-28 pipe thread.
 Automatic drain connection: Will fit 1/8-27 and 1/8-28 pipe thread. - Flexible tube with 3/16" (5mm) minimum I.D. can be connected to the automatic drain. Drain may fail to operate if the tube I.D. is less than 3/16" (5mm). Avoid restrictions in the tube.
 Automatic drain operating conditions (float operated):
 Bowl pressure required to close drain: Greater than 5 psig (0.3 bar)
 Bowl pressure required to open drain: Less than 3 psig (0.2 bar)
 Minimum air flow required to close drain: 2 scfm (1 dm³/s)
 Manual operation: Depress pin inside drain outlet to drain bowl

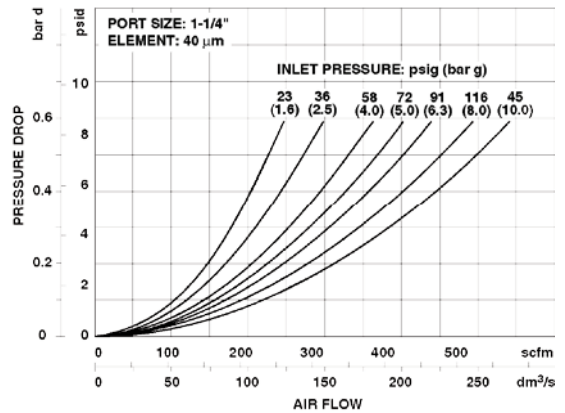
Materials

- Body: Aluminum
- Bowl: Aluminum
- Bowl sight glass: Pyrex
- Elastomers: Neoprene and nitrile
- Filter element
- 5 µm: Sintered bronze
- 25 µm: Sintered bronze
- 40 µm: Sintered bronze
- 75 µm: Stainless steel screen

An automatic drain is a two-way valve, which will close when the system is pressurized. The drain opens when the float rises due to accumulated liquid and on depressurization.

All Dimensions in Inches (mm)

Typical Performance Characteristics



Service Kits

Item	Type	Part number
Service kits	All filters	5578-05
Replacement elements	5 µm	5311-01
	25 µm	5311-02
	40 µm	5311-03
Replacement drain	Automatic	3000-10
	Manual (1/4 turn)	619-50

Service kit 5778-05 includes bowl o-ring, drain gasket, and element gasket.

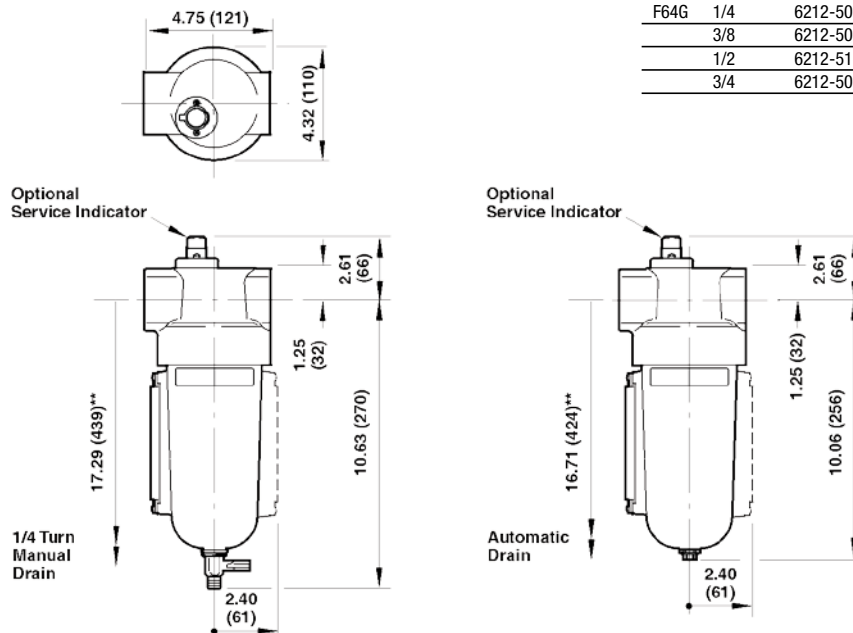
Accessories

Wall mounting bracket



F64G	1/4	6212-50
	3/8	6212-50
	1/2	6212-51
	3/4	6212-50

All Dimensions in Inches (mm)



** Minimum clearance required to remove bowl