

**17 Series  
General Purpose Filter  
3/4", 1", 1 1/4", 1 1/2" Port Sizes**

- **Protects air operated devices by removing liquid and solid contaminants from compressed air**
- **Screw-on bowl reduces maintenance time**
- **Can be serviced without the use of tools or removal from the air line**
- **Optional visual service indicator turns from green to red when the filter element needs to be cleaned or replaced**
- **Optional electrical service indicator also available**


**Technical Data**

Fluid: Compressed air

Maximum pressure: 17 bar (250 psig)

Operating temperature:\* 0° to +80°C (-0° to +175°F)

\* Air supply must be dry enough to avoid ice formation at temperatures below +2°C (+35°F)

Particle removal: 5 µm, 25 µm, 40 µm, or 75 µm filter element

Air quality: Within ISO 8573-1, Class 3 and Class 5 (particulates)

Typical flow with a 40 µm element at 6,3 bar (90 psig) inlet

pressure and 0,5 bar (7 psid ) pressure drop:

1" ports: 236 dm<sup>3</sup>/s (500 scfm)

Nominal bowl size: 1 litre (1 quart US)

Automatic drain connection: 1/8"

Automatic drain operating conditions:

Minimum pressure: 0,7 bar (10 psig).

Drain opens when bowl pressure drops below 0,2 bar (3 psig).

Minimum air flow: 1 dm<sup>3</sup>/s (2 scfm) required to close drain.

Materials:

Body: Aluminum

Bowl, 0,5 and 1 litre (1 pint and 1 quart US): Aluminum

Bowl sight glass: Pyrex

Elastomers: Neoprene and nitrile

Filter element:

5 µm: Sintered bronze

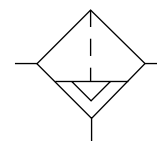
25 µm: Sintered bronze

40 µm: Sintered bronze

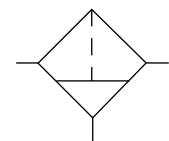
75 µm: Stainless steel screen

**Ordering Information**

See *Ordering Information* on the following pages.

**ISO Symbols**


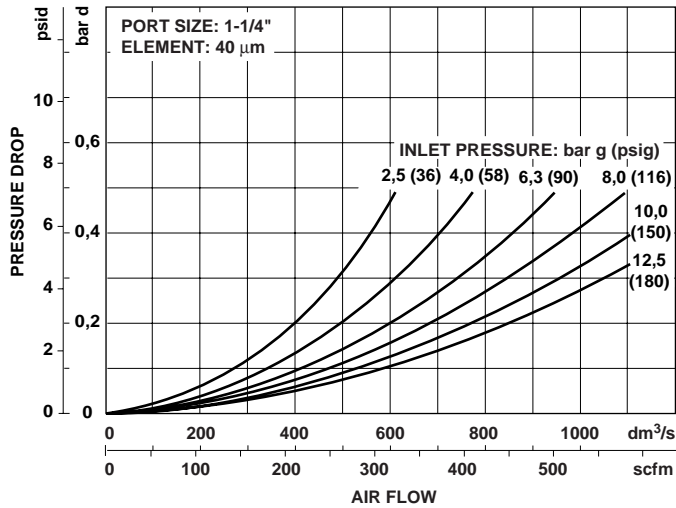
Automatic Drain



Manual Drain



**Typical Performance Characteristics** (Littleton)



**Ordering Information.** Models listed include automatic drain, 40 µm element, metal bowl with sight glass, and ISO G threads (BSPP threads on 1 1/2" ported units).

Port Size	Model Numbers	Flow dm3/s (scfm) *	Weight kg (lbs)
G3/4	F17-600-A3DG	183 (388)	1,93 (4.26)
G1	F17-800-A3DG	236 (500)	1,88 (4.15)
G1 1/4	F17-A00-A3DG	236 (500)	1,99 (4.39)
G1 1/2	F17-B00-A3DC	236 (500)	1,95 (4.30)

\* Typical flow with a 40 µm element at 6,3 bar (90 psig) inlet pressure and 0,5 bar (7 psid) pressure drop.

**Alternative Models**

F 1 7 - ★ ★ ★ - ★ ★ ★ ★

Port Size	Substitute
3/4"	6
1"	8
1 1/4"	A
1 1/2"	B

Option	Substitute
Not applicable	0

Service Indicator	Substitute
With (visual)	1
With (electrical)	4
Without	0

Threads	Substitute
PTF	A
ISO Rc taper	B
BSPP (1 1/2" ported units only)	C
ISO G parallel (not available with 1 1/2" ported units)	G

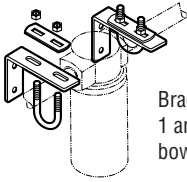
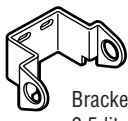

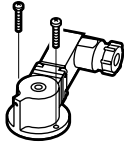
Bowl	Substitute
0,5 litre (1 pint) metal with sight glass (Shipston only)	H
1 litre (1 quart) metal with sight glass (Littleton only)	D
1 litre (1 quart) metal (Littleton only)	M

Element	Substitute
5 µm	1
25 µm	2
40 µm	3
75 µm	4

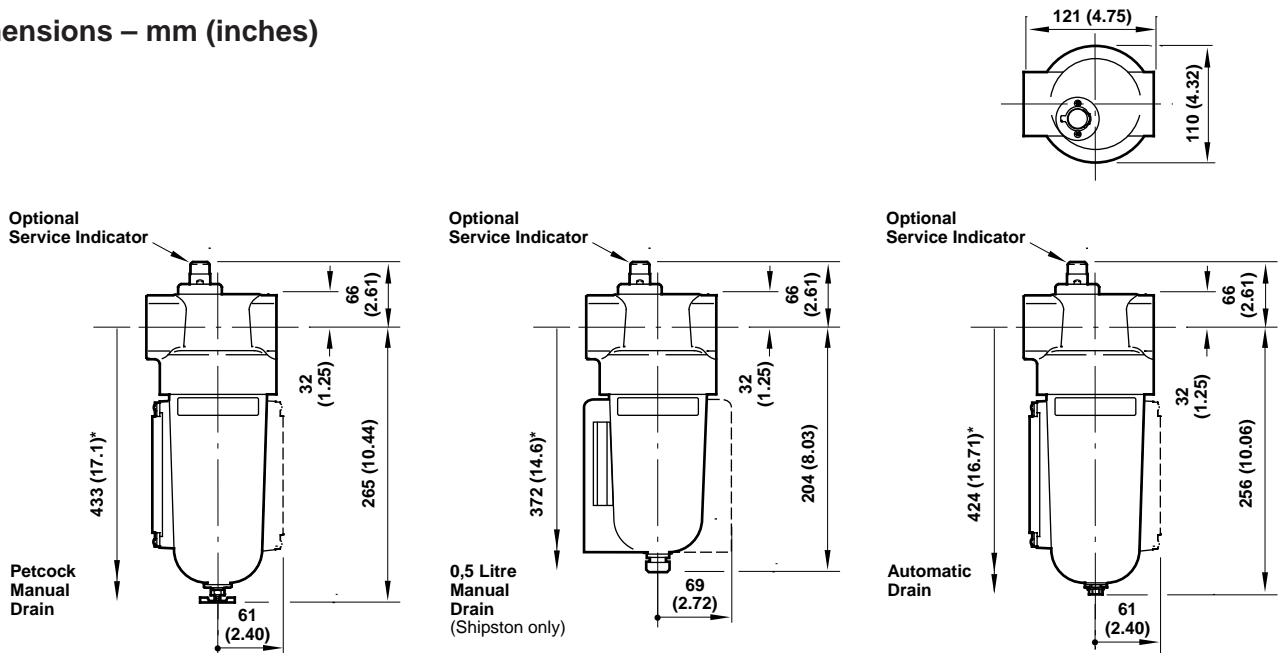
Drain	Substitute
Automatic	A
Manual	M



### Accessories

 <p>Brackets for 1 and 2 litre bowls</p>		 <p>Brackets for 0,5 litre bowls</p>		 <p>Service Life Indicator (visual)</p>		 <p>Service Life Indicator (electrical)</p>	
Wall mounting							
Bowl Size	Port Size	Part Number		5797-50	4020-51		
0,5 litre (1 pint US)	3/4	18-001-980					
0,5 litre (1 pint US)	1	18-001-981					
1 & 2 litre (1 & 2 quart US)	3/4 & 1	6212-50					
1 & 2 litre (1 & 2 quart US)	1 1/4 & 1 1/2	6212-51					

### Dimensions – mm (inches)



\* Minimum clearance required to remove bowl

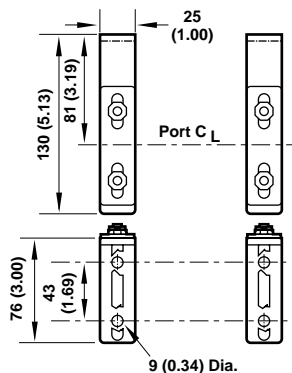
### Wall Brackets

### Wall Bracket Reference

Model	Part number
3/4", 1" ported units	6212-50
1 1/4", 1 1/2" ported units	6212-51
G 3/4 ported units	18-001-960
G 1 1/4 ported units	18-001-961

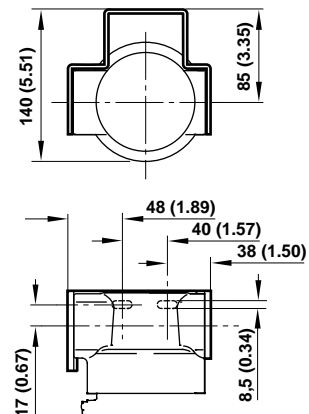
#### 6212-50, 6212-51 bracket.

Use 8mm (5/16") screws to mount bracket to wall.



#### 18-001-980, 18-001-981 brackets.

Use 8mm (5/16") screws to mount bracket to wall.





## Service Kits

Item	Type	Part number
Service kits	All types (Littleton)	5578-05
	Units with manual drain (Shipston)	F17-100M
	Units with automatic drain (Shipston)	F17-100A
Gasket kit	All types (Shipston)	F17-GK
Replacement elements	5 µm (Littleton)	5311-01
	5 µm (Shipston)	5576-97
	25 µm (Littleton)	5311-02
	25 µm (Shipston)	5576-98
	40 µm (Littleton)	5311-03
	40 µm (Shipston)	5576-99
Service life indicator	Visual	5797-50
	Electrical	4020-51
Replacement drain	Automatic (1/8 NPT outlet)	3000-10
	Automatic (G1/8 outlet)	3000-97
	Manual drain (Shipston)	684-84
	Petcock	684-01

Service kit 5778-05 (Littleton), includes bowl o-ring, drain gasket, and element gasket.

Service kit F17-100M, (Shipston), includes o-rings, gaskets, 50 µm element, drain cock body, spindle assembly and insert retaining ring.

Service kit F17-100A, (Shipston), includes o-rings, gaskets, 50 µm element, strainer and cap strainer.

Gasket kit (Shipston), includes o-rings and gaskets.

## Warning

These products are intended for use in industrial compressed air systems only. Do not use these products where *pressures* and *temperatures* can exceed those listed under '**Technical Data**'.

Before using these products with fluids other than those specified, for non-industrial applications, life-support systems, or other applications not within published specifications, consult Norgren.

Through misuse, age, or malfunction, components used in fluid power systems can fail in various modes. The system designer is warned to consider the failure modes of all component parts used in fluid power systems and to provide adequate safeguards to prevent personal injury or damage to equipment in the event of such failure.

**System designers must provide a warning to end users in the system instructional manual if protection against a failure mode cannot be adequately provided.**

System designers and end users are cautioned to review specific warnings found in instruction sheets packed and shipped with these products.

Water vapor will pass through these units and will condense into liquid if air temperature drops in the downstream system. Install an air dryer if water condensation could have a detrimental effect on the application.