

- Metallic parts meet NACE<sup>†</sup> recommendations
- Lloyd's Register Type Approved
- Provides effective liquid removal and positive solid filtration
- Large filter element area for minimum pressure drop
- Automatic Drain is operated by liquid level and also opens upon depressurisation

**Filter**  
**½ N.P.T.**

<sup>†</sup>National Association of Corrosion Engineers - recognised oil-field recommendation for resistance to sulphide stress cracking common in well-head and other corrosive environments.

#### Technical Data

Medium:

Compressed air only

Maximum Pressure:

16 bar

Operating Temperature:

-20°C\* to +80°C

\*Consult our Technical Service for use below +2°C

Filter Element:

25 µm standard

5 µm optional

Maximum Flow with 6,3 bar inlet pressure and pressure drop of 0,5 bar:

57 dm<sup>3</sup>/s



**Port Size**

½ N.P.T.

#### Alternative Models

Manual Drain

Other port thread forms

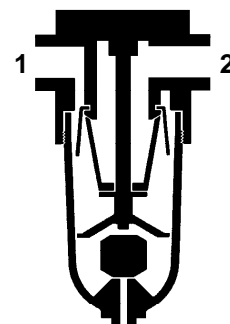
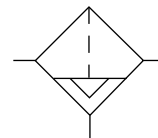
#### Materials

Stainless steel bowl and body. Synthetic rubber elastomeric materials. Sintered stainless steel filter element.

#### Ordering Information

To order a standard Filter, quote model number from tables overleaf.

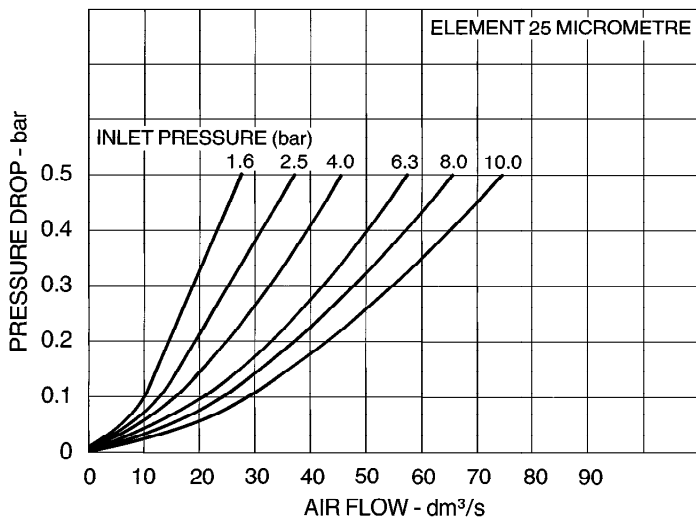
For non-standard models substitute appropriate digits as instructed.





## Typical Performance Characteristics

### FLOW CHARACTERISTICS



## Standard Filters

### Automatic Drain, 25 µm element

Type	Port Size	Model	Weight kg
Orientable Metal bowl	½ N.P.T.	F22-400-A2DA	1,88

### Manual Drain, 25 µm element

Type	Port Size	Model	Weight kg
Orientable Metal bowl	½ N.P.T.	F22-400-M2DA	1,84

## Non-standard Models

For optional 5 µm element, substitute '1' for '2' at the 8<sup>th</sup> digit, e.g. F22-400-A1DA.

For other options, please consult our Technical Service.

## Accessories

Wall Mounting Bracket Kit, see page 8.5.101.03.

Connectors, ½ N.P.T. x ½ N.P.T., reference 6348-06.

Reducing Connectors, ½ N.P.T. x ¼ N.P.T., reference 6348-04, ½ N.P.T. x ⅜ N.P.T., reference 6348-05.

Shut-Off Ball Valve, ½ N.P.T. female x ½ N.P.T. female, reference VC8TC2B.



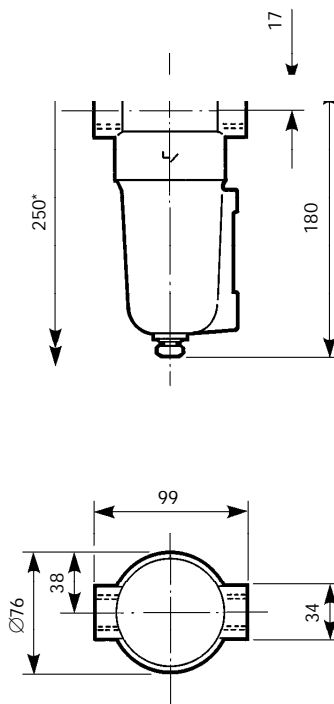
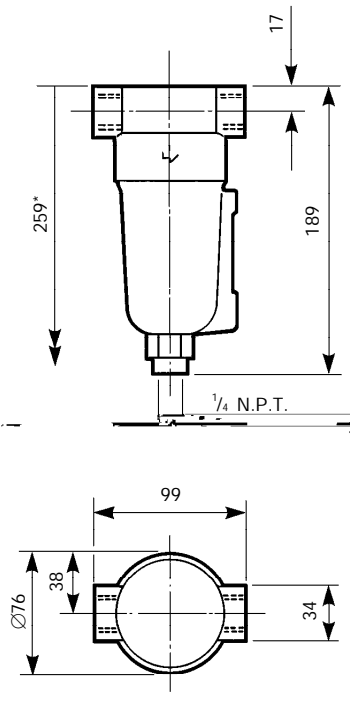
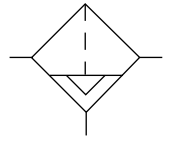
**Orientable Metal Bowl**

Automatic Drain

Manual Drain

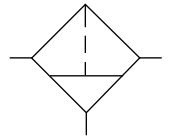
**Automatic Drain**

F22-400-A2DA 1/2 N.P.T.



**Manual Drain**

F22-400-M2DA 1/2 N.P.T.

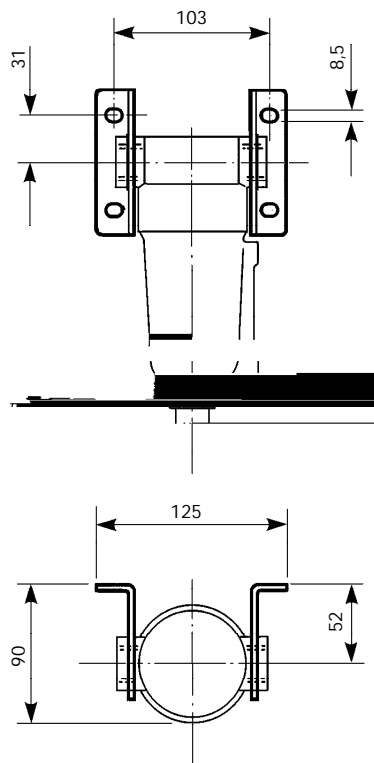


\*Minimum clearance required to remove bowl from body.

**Bracket Mounting**

**Bracket Kit reference:**

18-001-962





## Spares Kits

Repair Kits include standard 25 µm element.  
For 5 mm element please specify.

Drain	Gasket Kit	Repair Kit
Automatic	F22-GK	F22-100A

Repair Kit for Orientable Metal Bowl available, reference 5860-RK.

Automatic Drain Kit available, reference 3000-90. Can be used to convert Manual Drain models to Automatic Drain.

---

## Warning

These products are intended for use in industrial compressed air systems only. Do not use these products where *pressures* and *temperatures* can exceed those listed under 'Technical Data'.

Before using these products with fluids other than those specified, for non-industrial applications, life-support systems, or other applications not within published specifications, consult NORGREN MARTONAIR.

Through misuse, age, or malfunction, components used in fluid power systems can fail in various modes. The system designer is warned to consider the failure modes of all component parts used in fluid power systems and to provide adequate safeguards to prevent personal injury or damage to equipment in the event of such failure.

**System designers must provide a warning to end users in the system instructional manual if protection against a failure mode cannot be adequately provided.**

System designers and end users are cautioned to review specific warnings found in instruction sheets packed and shipped with these products.