

## Olympian Plus General Purpose Filter 3/4", 1", 1-1/4", 1-1/2" Port Sizes

### Olympian Plus plug in system

Effective liquid removal and positive solid particle filtration

Large filter element area provides minimum pressure drop

Optional visual service indicator turns from green to red when the filter element needs to be replaced

Factory option electrical service life indicator provides electrical output when the filter element needs to be replaced - see page ALE-25-23.



**Ordering Information.** Models listed include a 1 quart bowl with 40 µm long element, automatic drain, and yoke with PTF threads.

Port Size	Model	Flow† scfm (dm³/s)	Weight lb (kg)
3/4	F68E-6AN-AU3	339 (160)	2.45 (5.3)
1	F68E-8AN-AU3	403 (190)	2.33 (5.1)
1-1/4	F68E-AAN-AU3	424 (200)	2.43 (5.3)
1-1/2	F68E-BAN-AU3	424 (200)	2.30 (5.0)

† Typical flow with a 40µm element at 90 psig (6.3 bar) inlet pressure and 7 psig (0.5 bar) pressure drop.

### Alternative Models



Bowl/Element Type	Substitute
1 pint (0.5 liter) bowl w/short element	G
1 quart (1 liter) bowl w/long element	E

Port Size	Substitute
3/4"	6
1"	8
1-1/4"	A
1-1/2"	B
None	N

Threads	Substitute
PTF	A
ISO Rc taper	B
ISO G parallel	G
None	N

Service Life Indicator	Substitute
Visual	D
Electrical	E
Without	N

Element	Substitute
5 µm	1
25 µm	2
40 µm	3

Bowl	Substitute
1 quart (1 liter) without liquid level indicator	C**
1 pint (0.5 liter) without liquid level indicator	M*
1 pint (0.5 liter) with liquid level indicator	R*
1 quart (1 liter) with liquid level indicator	U**

Drain	Substitute
Automatic	A
No drain (Closed bowl)	E
Manual	M
Manual, 1/4 turn	Q

\* Only available with F68G  
\*\* Only available with F68E

### Accessories

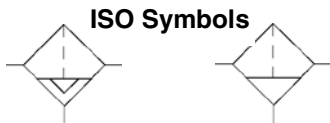
Bracket kit

Bracket kit

3/2 Shut-off valve

Single Yoke

Double Yoke



Auto Drain

Manual Drain

F68G	1/2	18-001-979	-	T68E-4AB-B2N	Y68A-4AN-N1N	Y68A-4AN-N2N
3/4	18-001-979	-	T68E-6AB-B2N	Y68A-6AN-N1N	Y68A-6AN-N2N	
1	18-001-979	-	T68E-8AB-B2N	Y68A-8AN-N1N	Y68A-8AN-N2N	
1-1/4	18-001-978	-	T68E-AAB-B2N	Y68A-AAN-N1N	Y68A-AAN-N2N	
1-1/2	-	-	T68E-BAB-B2N	Y68A-BAN-N1N	Y68A-BAN-N2N	

# F68E/G General Purpose Filters



All Dimensions in Inches (mm)

## Technical Data

Fluid: Compressed air  
 Maximum pressure: 250 psig (17 bar)  
 Operating temperature\*: 0° to +175°F (-20° to +80°C)

\* Air supply must be dry enough to avoid ice formation at temperatures below +35°F (+2°C).  
 Particle removal: 5, 25 or 40 µm  
 Air quality: Within ISO 8573-1, Class 3 and Class 5 (particulates)  
 Typical flow with a 40 µm element at 90 psig (6.3 bar) inlet pressure and a 7 psig (0.5 bar) pressure drop:

403 scfm (190 dm<sup>3</sup>/s)

1/4 turn manual drain connection: 1/8" pipe thread

Automatic drain connection: 1/8" pipe thread

Automatic drain operating conditions (float operated):

Bowl pressure required to close drain: Greater than 5 psig (0.3 bar)

Bowl pressure required to open drain: Less than 3 psig (0.2 bar)

Minimum air flow required to close drain: 2 scfm (1 dm<sup>3</sup>/s)

Manual operation: Depress pin inside drain outlet to drain bowl

Nominal bowl size:

1 pint U.S. (0.5 liter)

1 quart U.S. (1 liter)

Materials:

Body: Aluminum

Yoke: Aluminum

Bowl: Aluminum

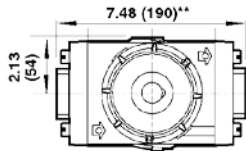
Liquid level indicator: Pyrex

Element: Sintered bronze or polypropylene

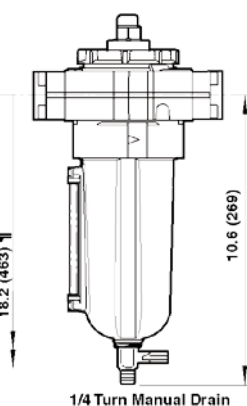
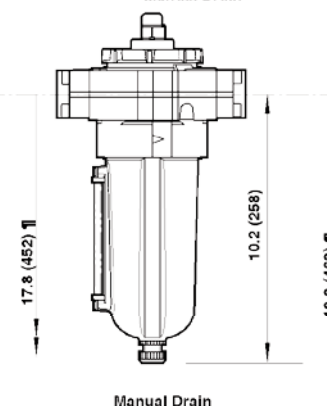
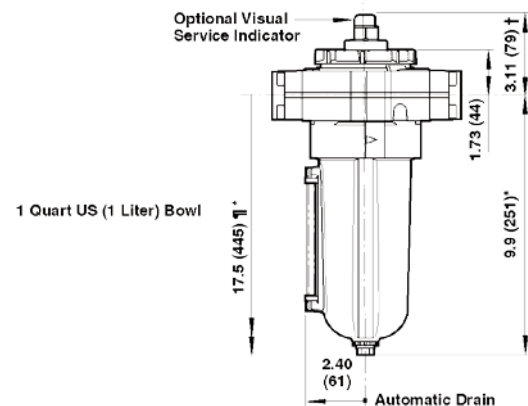
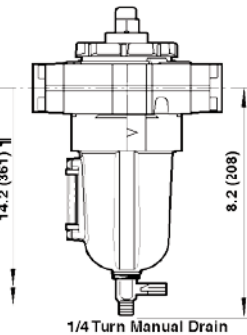
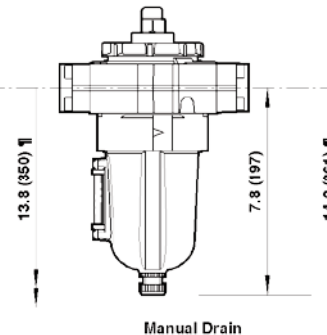
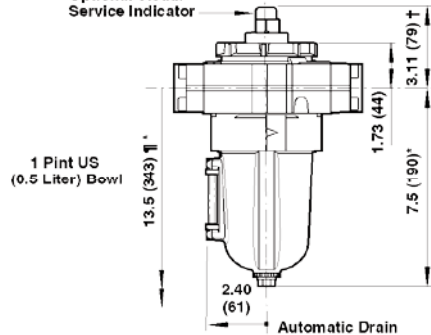
Elastomers: Synthetic rubber

An automatic drain is a two-way valve, which will close when the system is pressurized. The drain opens when the float rises due to accumulated liquid and on depressurization.

All Dimensions in Inches (mm)



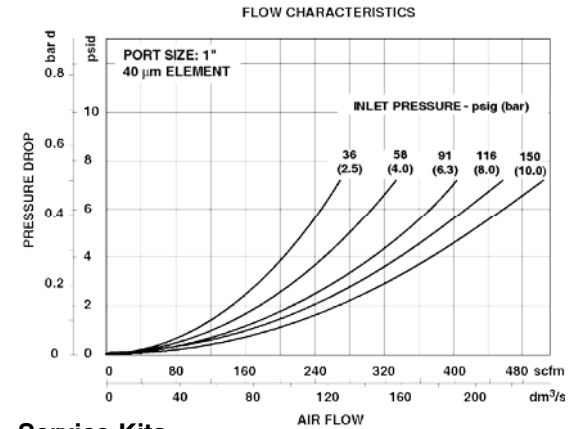
Optional Visual Service Indicator



† For optional electrical service life indicator add 0.20" (5 mm).  
 \*\* For 1-1/4" and 1-1/2" ported yokes, add 0.39" (10 mm).

† Dimension also applies to closed bottom bowl.  
 † Minimum clearance required to remove bowl.

## Typical Performance Characteristics



## Service Kits

Item	Type	Part Number
Service Kit	Seal and gasket	4380-300
Replacement Elements	5 µm (1 pint bowl)	5576-97
	25 µm (1 pint bowl)	5576-98
	40 µm (1 pint bowl)	5576-99
	5 µm (1 quart bowl)	5311-01
Replacement Sight Glass	25 µm (1 quart bowl)	5311-02
	40 µm (1 quart bowl)	5311-03
Replacement	1 pint bowl	4380-060
Sight Glass	1 quart bowl	4380-061
Replacement Drains	Automatic (G 1/8 outlet)	3000-97
	Automatic (1/8 NPT outlet)	3000-10
	Manual	684-84
	Manual, 1/4 turn	619-50

Service kit includes: Louver/element seals, drain seal, bowl seal.