

EXCELON® PRO SERIES General purpose filter

F92G - 1/4" PTF and 1/4" PIF

- Configuration flexibility
- Excellent value
- No tools required for assembly

TECHNICAL DATA

Fluid: Compressed air

Maximum pressure

Manual drain: 175 psig (12 bar)

Automatic drain: 150 psig (10 bar)

Operating temperature*

-4° to 125°F (-20° to 52°C)

* Air supply must be dry enough to avoid ice formation at temperatures below 35°F (2°C).

Materials

Body: PBT

Transparent bowl: Polycarbonate

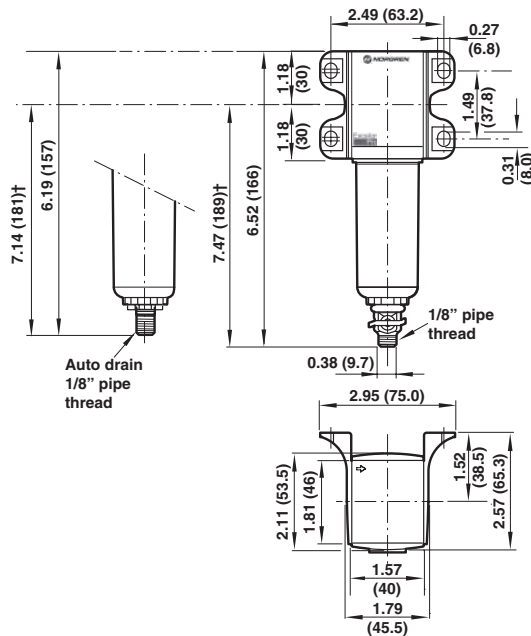
Element: Sintered polypropylene

Elastomers:

Bowl O-ring - Neoprene

All others - nitrile

Particle removal: 5 µm



AIRLINE PREPARATION

4

ISO Symbol



Automatic drain



Manual drain

Models

F92G AUTO DRAIN Model No.	F92G MANUAL DRAIN Model No.	Port size	Flow* SCFM (dm³/s)
F92G-2AN-AT1	F92G-2AN-QT1	1/4" PTF	40 (19)
F92G-4EN-AT1	F92G-4EN-QT1	1/4" PIF	40 (19)

Accessories

Lockout valve	Porting block	Quikconnect	Auto drain kit	Service kit**
T92E-NNN-B1N	9216-50	9210-50	4000-50R	F92G-KIT
T92E-NNN-B1N	9216-50	9210-50	4000-50R	F92G-KIT

*Typical flow at 90 psig (6.3 bar) inlet pressure, and 5 psig (0.35 bar) pressure drop.

**Kit includes: Bowl O-ring, filter element, Louver



Service - Quality - Delivery

NorgrenExpress.com - 1.800.514.0129 - Help@NorgrenExpress.com