

# R24 Micro-Trol Pressure Regulator

1/4" to 1-1/4" ports

High flow regulator with exceptional high relief flow

Adjusting knob can be set in the field to stop at some maximum pressure setting or some minimum pressure setting

Easy to adjust even at high output pressures

Balanced valve minimizes effect of variations in inlet pressure on outlet pressure

Constant bleed feature provides maximum sensitivity to system changes

Relieving feature allows reduction of downstream pressure when the system is dead-ended

Full flow gauge ports



## Technical data

Fluid:

Compressed air, neutral gases

NOTE: Contact Norgren for use with other media.

Maximum inlet pressure:

300 psig (20 bar)

Operating temperature:

0° to 150°F (-20° to 80°C)\*

\* Air supply must be dry enough to avoid ice formation at temperatures below 35°F (2°C).

Maximum bleed rate at 50 psig (3.5 bar) outlet pressure:

0.031 scfm (0.016 dm<sup>3</sup>/s) †

† Maximum bleed rate occurs under dead-end (no flow) conditions.

Port sizes:

Main	Gauge
1/4"	1/4"
3/8"	3/8"
1/2", 3/4", 1", 1-1/4"	1/2"

Thread type: PTF, ISO G, or Rc

## Materials

Body, top cap: Zinc

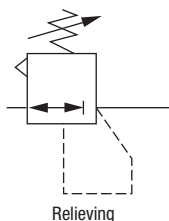
Main valve, adjusting screw: Brass

Pilot valve, relief valve: Acetal

Elastomers: Nitrile

Bottom Plug: Acetal

ISO Symbol



## Ordering Information.

Models listed are constant bleed units with relieving diaphragm, 10 to 125 psig (0.7 to 8 bar) outlet pressure adjustment range, and PTF threads.

Port Size	Model	Flow (scfm)	Weight lb (kg)
1/2"	R24-400-RGLA	200	1.79 (0.81)
1-1/4"	R24-A00-RGLA	700	2.65 (1.20)

## Alternative Models

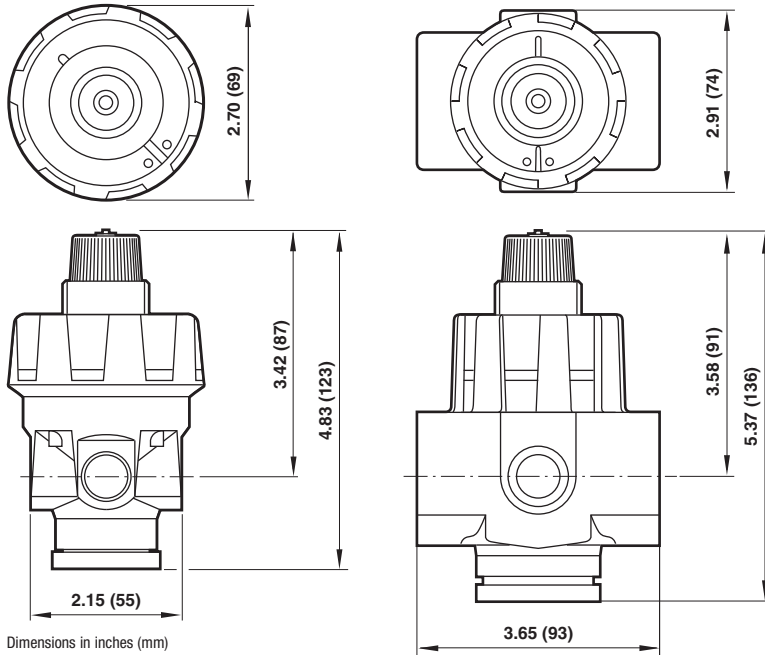
Port Size	Substitute	Threads	Substitute	Outlet Pres Adj. Ranges*	Substitute	Gauge	Substitute
1/4"	2	PTF	A	5 to 30 psig (0.3 to 2 bar)	C	With	G**
3/8"	3	ISO G parallel	G	5 to 60 psig (0.3 to 4 bar)	F	Without	N
1/2"	4			10 to 125 psig (0.7 to 8 bar)	L		
3/4"	6			10 to 250 psig (0.7 to 17 bar)	S		
1"	8						
1-1/4"	A						

\* Outlet pressure can be adjusted to pressures in excess of, and less than, those specified. Do not use these units to control pressures outside of the specified ranges.

\*\* A factory installed gauge is only available with PTF threads (A in last position of model number). If a gauge is desired with ISO threads (B or G in last position), order the desired gauge and appropriate reducing bushing from Accessories.

# R24 Micro Trol Pressure Regulator

1/4" to 1-1/4" ports



Dimensions in inches (mm)

Panel mounting hole diameter: 1.26" (32 mm)

Maximum panel thickness: 0 to 0.12" (3 mm)

## Service Kits

Item	Type	Part number
Service kit	1/4, 3/8, 1/2	5292-52
Service kit	3/4, 1, 1-1/4	5292-53

Service kits include seals, main valve and spring.

## Typical Performance Characteristics RANGE: 10 to 232 psi (0.7 to 16 bar)

