

# Water Regulator

1/4", 3/8" and 1/2" Port Sizes

## Non-relieving models

Brass body, corrosion resistant construction

Full flow gauge ports can be used as auxiliary outlets

## Technical data

### Fluid:

Water and compressed air, neutral gases

**NOTE:** Contact Norgren for use with other media.

### Maximum pressure:

400 psig (27 bar)

### Operating temperature:

Water service: 35° to 200°F (2° to 93°C)

Air service: -30° to 200°F (-34° to 93°C)\*

\* Air supply must be dry enough to avoid ice formation at temperatures below 35°F (2°C).

### R43 Gauge ports

1/4" PTF with PTF main ports

1/4" ISO G with ISO G main ports

1/4" ISO Rc with ISO Rc main ports

### 11-009 Gauge ports:

1/8" PTF with PTF main ports

G1/8 with ISO G main ports

Rc1/4 with ISO Rc main ports

### Materials:

Body: Brass

Bonnet: Aluminum

Valve: Brass

Bottom plug: Brass

Elastomers: Nitrile



R43

11-009

## R43 Ordering Information

Models listed have T-handle adjustment, 5 to 125 psig (0.3 to 8.5 bar) outlet pressure adjustment range\*, and PTF threads. A gauge is not included.

Port	Model	Flow † U.S. gpm (lpm)	Weight lb (kg)
1/4"	R43 201 NNLA	6 (23)	2.4 (1.09)
3/8"	R43 301 NNLA	6 (23)	2.4 (1.09)
1/2"	R43 406 NNLA	9 (34)	2.4 (1.09)

† Typical flow with 150 psig (10 bar) inlet pressure, 90 psig (6.3 bar) set pressure and 15 psig (1 bar) droop from set.

## 11-009 Ordering Information

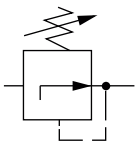
Models listed have PTF threads, T-bar adjustment, non-relieving diaphragm, and 5 to 125 psig (0.3 to 8.5 bar) outlet pressure adjustment range\*. A gauge is not included.

Port Size	Model Number	Flow † U.S. gpm (lpm)	Weight lbs (kg)
3/4"	11 009 065	27.5 (104)	3.54 (7.8)
1"	11 009 081	27.5 (104)	3.40 (7.5)

\* Outlet pressure can be adjusted to pressures in excess of, and less than, those specified. Do not use these units to control pressures outside of the specified ranges.

† Typical flow with 100 psig (6.9 bar) inlet pressure, 60 psig (4 bar) set pressure and 15 psig (1 bar) droop from set.

## ISO Symbols

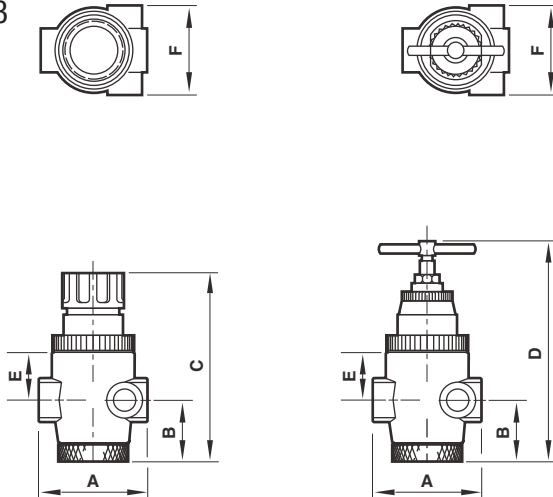


# R43 Water Pressure Regulator

1/4", 3/8" and 1/2" Port Sizes

Panel mounting hole diameter: 1.89" (48 mm)  
Maximum panel thickness: 0.19" (5 mm)

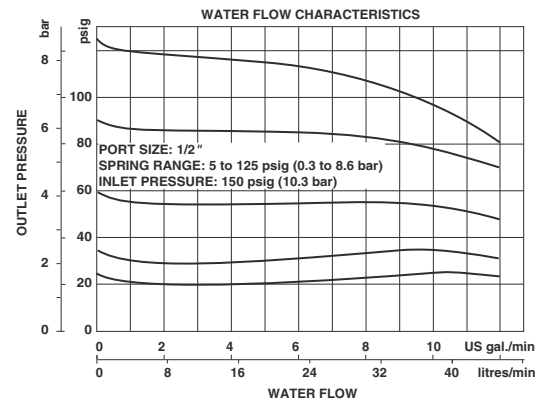
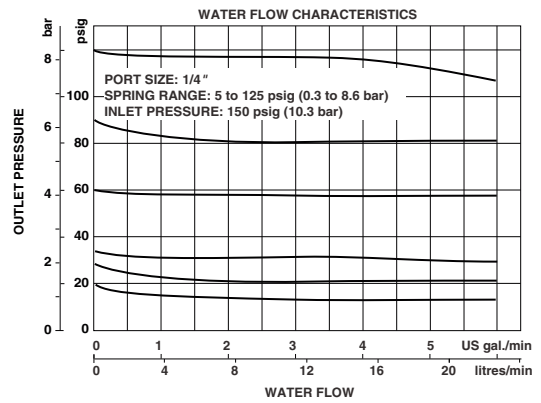
R43



Port Size	A	B	C	D	E	F
1/4", 3/8"	2.76 (70)	1.52 (39)	4.86 (124)	5.75 (146)	1.21 (31)	2.31 (59)
1/2"	3.34 (85)	1.59 (41)	5.01 (127)	5.90 (150)	1.28 (33)	2.44 (62)

Dimensions in inches (mm)

## Typical Performance Characteristics

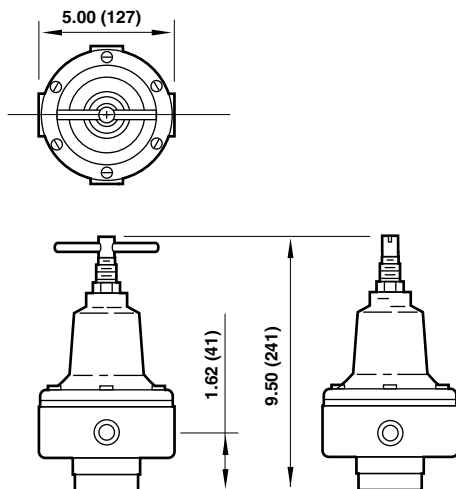


## Service Kits

Item	Type	Part number
Service Kit	For 1/4" and 3/8" ported units	5298-03
	For 1/2" ported units	5298-10

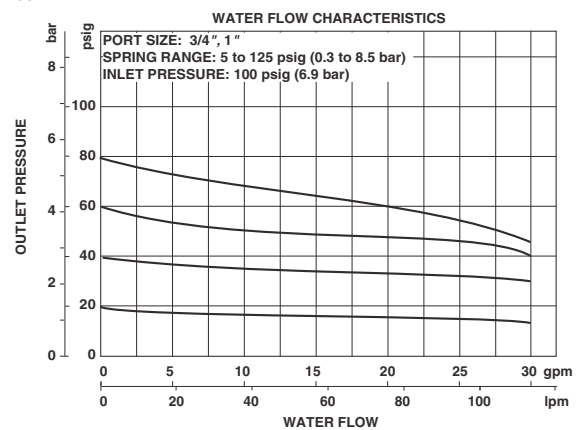
Service kit includes diaphragm, o-rings, valve, valve spring.

11-009



Dimensions in inches (mm)

## Typical Performance Characteristics



## Service Kits

Type	Part number
Non-relieving	2436-03

Service kit includes diaphragm, valve seat, valve pin, valve pin gasket, valve, valve spring, and o-rings.