

R91 Water or Compressed Air Pressure Regulator

Regulator 1/4" Port Size

R91W: Use with deionized water and potable water systems. Plastic (not assembly) is NSF approved. All elastomers are CFR 21 FDA food and water contact compliant. Non relieving models only.

R91G: Use with non-potable water (non-relieving only) and compressed air systems (Non relieving and relieving models.)



Technical data

Fluid

R91G: Compressed air and non-potable water, neutral gases

NOTE: Contact Norgren for use with other media.

R91W: Potable water, deionized water

Maximum pressure:

150 psig (10 bar)

Operating temperature

Water service: 35° to 125°F (2° to 52°C)

Air service: 0° to 125°F (-20° to 52°C)*

* When used in air service, air supply must be dry enough to avoid ice formation at temperatures below 35°F (2°C).

Gauge ports:

1/8 PTF with PTF main ports

R1/8 with ISO Rc main ports

R1/8 with ISO G main ports

Materials

Body and bonnet: Acetal

Valve

R91G: Brass/nitrile

R91W: Stainless steel/food grade EPDM

Valve seat: Acetal

Valve seat o-ring

R91G: Nitrile

R91W: Food grade EPDM

Diaphragm

R91G: Acetal/nylon inserted nitrile

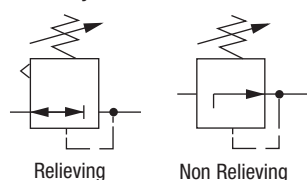
R91W: Acetal/nylon inserted nitrile, food grade

Gauge port plugs: Nylon for NPT

Brass for ISO G & Rc

(furnished only with PTF-ported units)

ISO Symbols



Ordering Information

Models listed include PTF threads, knob adjustment, non relieving diaphragm, 5 to 125 psig (0.3 to 8.6 bar) outlet pressure adjustment range†, and without gauge.

Inlet Port	Application	Model	Flow* scfm (dm ³ /s)	Flow** gpm (lpm)	Weight lb (kg)
1/4"	Industrial air and non-potable water	R91G 2AK NLN	24 (11)	1.75 (6.6)	0.15 (0.07)
1/4"	Potable water and deionized water	R91W 2AK NLN	24 (11)	1.75 (6.6)	0.15 (0.07)

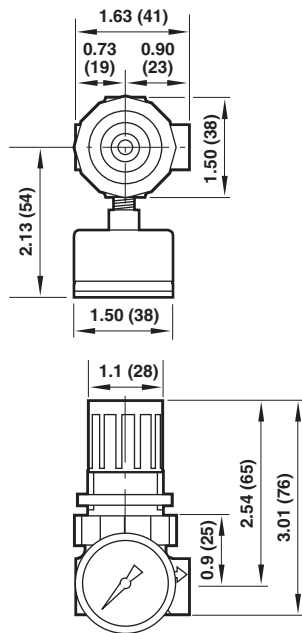
* Typical flow for compressed air service at 150 psig (10 bar) inlet pressure, 90 psig (6.3 bar) set pressure and a droop of 15 psig (1 bar) from set.

** Typical flow for water service at 100 psig (7 bar) inlet pressure, 60 psig (4 bar) set pressure and a droop of 15 psig (1 bar) from set.

R91 Water or Compressed Air Pressure Regulator

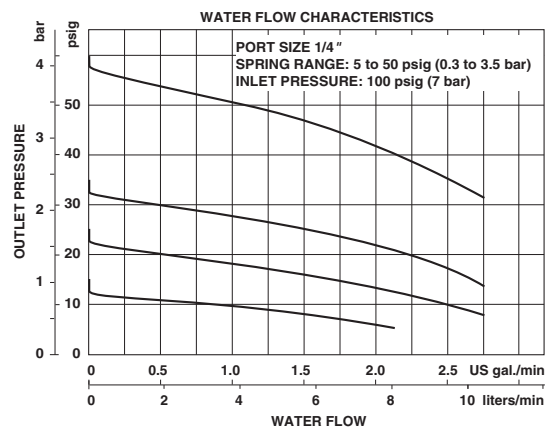
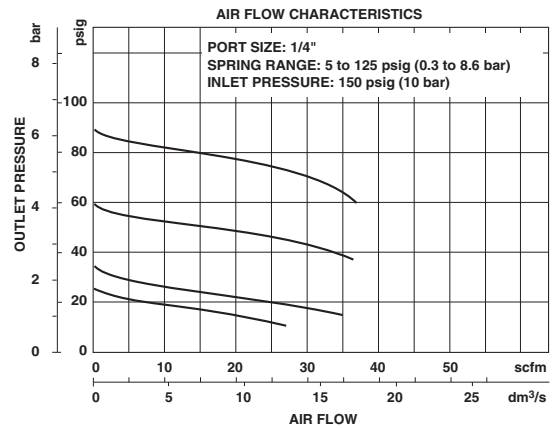
Regulator 1/4" Port Size

Panel mounting hole diameter 1.19" (30 mm)
 Maximum panel thickness 0.25" (6 mm)



Dimensions in Inches (mm)

Typical Performance Characteristics



Service Kits

Item	Type	Part number
Service Kit	R91W, non relieving	3407-93
	R91G, non relieving	3407-94
	R91G, relieving	3407-95

Service kit contains slip ring, diaphragm, valve seat with o-ring, valve, and valve spring.