

Pilot Operated Regulators

11-042 and 11-008

Designed for systems that require pressure regulation at an inaccessible location.

A pilot regulator (ordered separately) controls the outlet pressure of the pilot operated regulator.

Technical data

Fluid:

Compressed air, neutral gases

NOTE: Contact Norgren for use with other media.

Inlet pressure range:

10 psig (0.7 bar) to 400 psig (27.6 bar)

Operating temperature:

0° to 175°F (-20° to 80°C) **

** Air supply must be dry enough to avoid ice formation at temperatures below 35°F (2°C).

Materials

11-042

Body: zinc

Bonnet: aluminum

Bottom plug: acetal

Valve: brass

Elastomers: nitrile

Port sizes

Main	Gauge	Pilot	Exhaust
1/4"	1/4"	1/4"	3/4"
3/8"	3/8"	1/4"	3/4"
1/2", 3/4", 1", 1-1/4"	1/2"	1/4"	3/4"

11-008

Body: zinc

Bonnet: aluminum

Bottom plug:

1/2", 3/4 ports: glass filled nylon

1" ports: brass

Gauge port: 1/8" NPT

Pilot port: 1/4" NPT

Valve: brass

Elastomers: nitrile



11-042



11-008
Constant bleed type

11-042 and 11-008 Pilot Operated Regulator Ordering Information

Models listed include relieving diaphragm and PTF threads. Also order a pilot regulator.

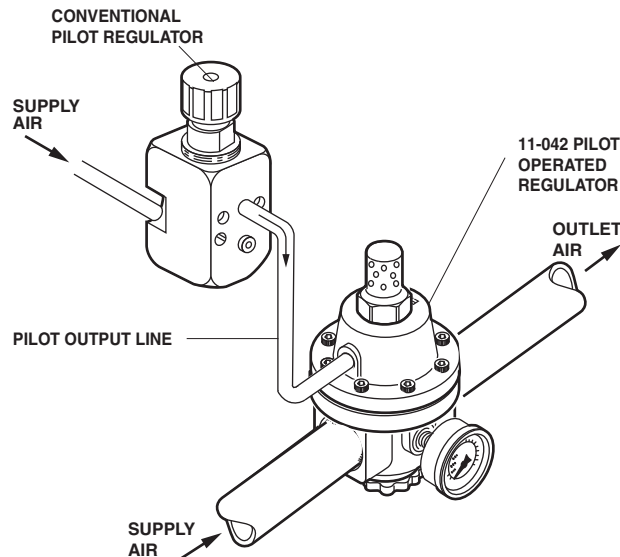
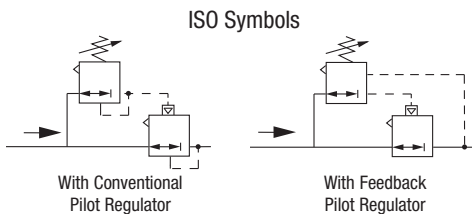
Port Size	Model	Flow* scfm (dm3/s)	Weight lb (kg)
1/4"	11-042-001	120 (57)	2.8 (1.3)
3/8"	11-042-002	120 (57)	2.7 (1.2)
1/2"	11-042-003	120 (57)	2.6 (1.2)
3/4"	11-042-007	300 (142)	4.8 (2.2)
1"	11-042-008	300 (142)	4.6 (2.1)
1-1/4"	11-042-009	300 (142)	4.3 (2.0)
1/2"	11-008-130	70 (33)	1.6 (0.7)
3/4"	11-008-009	110 (52)	4.9 (2.2)
1"	11-008-110	180 (85)	4.6 (2.1)

* Typical flow with 100 psig (0.7 bar) inlet pressure, 90 psig (6.3 bar) set pressure and a droop of 5 psig (0.35 bar) from set.

For additional models contact the factory

Feedback Pilot Regulator Warning

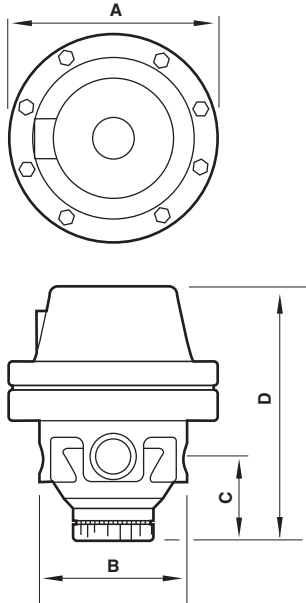
The feedback line must sense the pilot operated regulator outlet pressure and must be connected before turning on the air supply. If the feedback line is not connected, the pilot operated regulator outlet pressure will rapidly increase to the inlet pressure when the adjusting knob on the pilot regulator is turned clockwise.



Pilot Operated Regulators

11-042 and 11-008

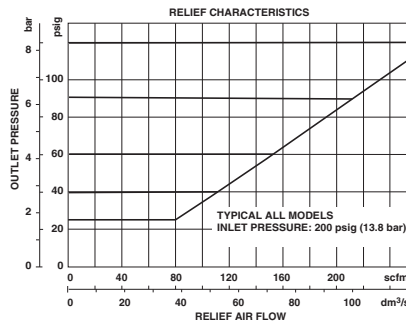
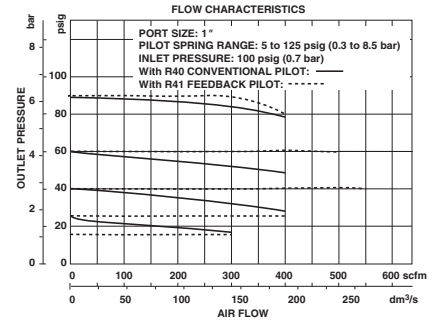
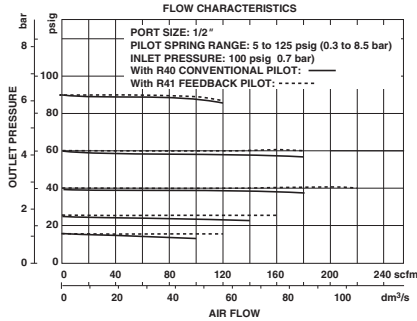
11-042



Port Size	A	B	C	D
1/4", 3/8", 1/2"	4.16 (106)	2.71 (69)	1.48 (38)	5.07 (129)
3/4", 1", 1-1/4"	4.16 (106)	3.65 (93)	1.86 (47)	5.97 (152)

Dimensions in inches (mm)

Typical Performance Characteristics

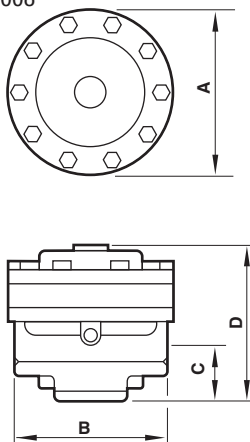


11-042 Service Kits

Type	Part number
Kit for 1/4", 3/8", 1/2" units	4158-01
Kit for 3/4", 1", 1-1/4" units	4158-02
O-ring kit for 1/4", 3/8", 1/2" units	4158-03
O-ring kit for 3/4", 1", 1-1/4" units	4158-04

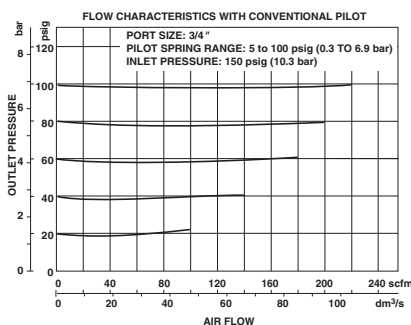
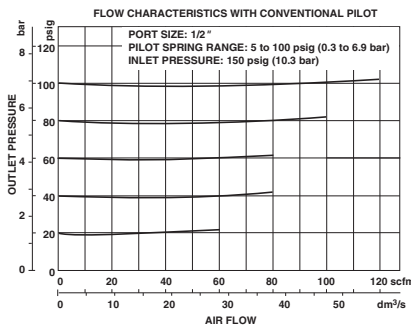
Kit contains filter screen, diaphragm, and all o-rings.
 O-ring kit contains filter screen and all o-rings.

11-008



Port Size	A	B	C	D
1/2"	3.34 (85)	3.38 (86)	1.50 (38)	3.30 (84)
3/4", 1"	4.91 (125)	4.63 (118)	1.69 (43)	4.36 (111)

Dimensions in inches (mm)



11-008 Service Kits

Type	Part number
1/2" ported units	695-01
3/4", 1" ported units	696-01

Kit contains diaphragm, valve, and all o-rings.

