

11-400, 20AL

Conventional Pilot Regulators

1/4" Port Size

Pilot regulators are used to control the outlet pressure of a pilot operated regulator (ordered separately)

The pilot regulator is installed in an accessible location in the compressed air system; pilot operated regulator is installed at any point without regard to accessibility

Conventional pilot regulator provides good pressure regulation, rapid response to changing flow demands, and excellent stability.

Constant bleed feature provides maximum sensitivity to system changes

Relief feature allows reduction of downstream pressure when the system is dead-ended

Technical data

Fluid:

Compressed air filtered to 5µm, neutral gases

NOTE: Contact Norgren for use with other media.

Maximum inlet pressure:

360 psig (25 bar)

Operating temperature:

0° to 175°F (-20° to 80°C) *

* Air supply must be dry enough to avoid ice formation at temperatures below 35°F (2°C).

Typical flow: with 100 psig (7 bar) inlet pressure, 23 psig (1.6 bar) set pressure and 1.5 psig (0.1 bar) droop from set: 4.2 scfm (2 dm³/s)

Gauge ports:

1/8" PTF

Materials:

Body, bonnet: Zinc

Elastomers: Nitrile



Ordering Information.

Models listed are relieving with constant bleed, PTF threads, without gauge.

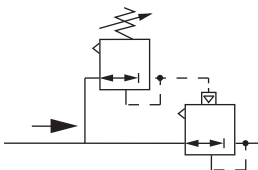
Port Size	Model Number	Range psig (bar)	Weight lbs (kg)
1/4"	11-400-2G/AC103	1 to 30 (0.06 to 2)	1.98 (0.90)
1/4"	11-400-2G/AE103	1 to 60 (0.06 to 4)	2.07 (0.94)
1/4"	11-400-2G/AG103	2 to 100 (0.16 to 7)	2.2 (1.00)
1/4"	20AL-X2G/AK103	100 to 300 (7 to 20)	2.3 (1.05)

Service Kits

Type	Part number
11 400-20AL-X	11 400-100/20AL

Service kit includes: diaphragm assemblies, valve assembly, valve spring o-rings and valve seats for pilots.

ISO Symbol



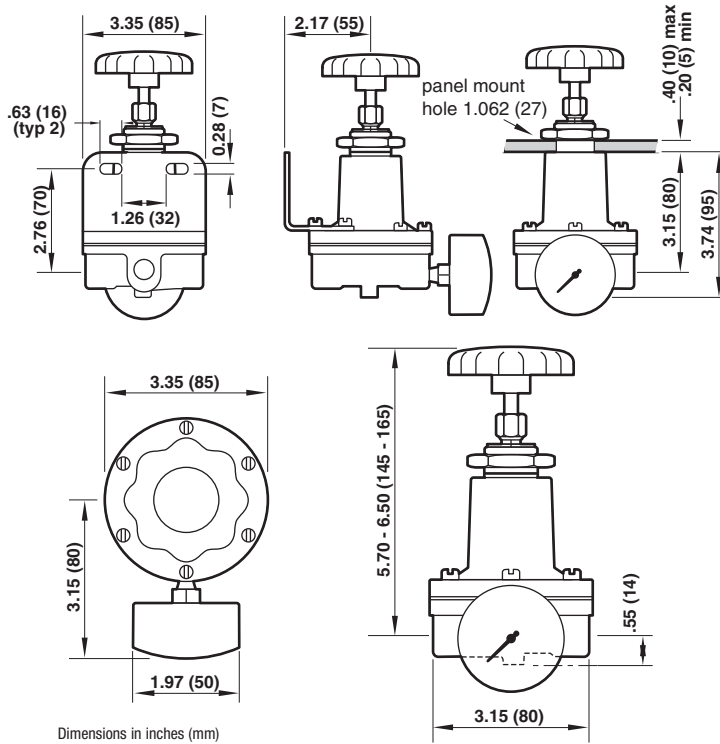
Conventional Pilot Regulator
with Pilot Operated Regulator

11-400, 20AL

Conventional Pilot Regulators

1/4" Port Size

Mounting Dimensions
(Shown with optional gauge and mounting bracket)



Typical Performance Characteristics

