



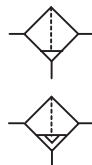
Direct ported filter with high water removal efficiency

Highly visible, prismatic liquid level indicator lens

High flow with minimal pressure drop

Optional visual service life indicator turns from green to red when the filter element needs to be cleaned or replaced

Optional electrical service indicator also available



### Technical features

Medium:

Compressed air

Operating pressure:

17 bar max.

Particle removal:

40 µm standard, 5 µm optional

Flow:

See below

Port size:

G1 1/2 or G2

Drain:

Manual or automatic

Automatic drain operating

conditions:

Drain closes when bowl pressure

> 0,3 bar

Drain opens when bowl pressure:

≤ 0,2 bar

Minimum air flow required to

close drain:

1 dm³/s

Fluid/Ambient temperature:

-34 ... +80°C

Air supply must be dry enough

to avoid ice formation at

temperatures below +2°C

Materials:

Body, intermediate body and

bowl: Aluminum

Liquid level indicator:

Transparent nylon

Filter element: Sintered bronze

Elastomers: Neoprene and nitrile

### Technical data, standard version

Symbol	Port size	Filter element (µm)	Flow *1) (dm³/s)	Drain	Bowl	Weight (kg)	Model
	1-1/2 NPT	40	765	Manual	Metal	6,7	F18-B00-M3DA
	2 NPT	40	765	Manual	Metal	6,6	F18-C00-M3DA
	1-1/2 NPT	40	765	Automatic	Metal	6,7	F18-B00-A3DA
	2 NPT	40	765	Automatic	Metal	6,6	F18-C00-A3DA

\*1) Typical flow with a 40 µm element at 6,3 bar inlet pressure and 0,5 bar pressure drop.

### Options selector

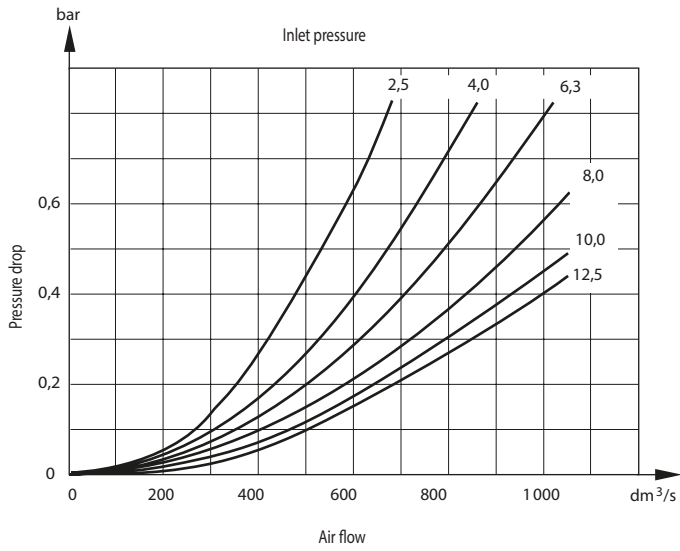
F18 - X0X - XXDX

Port size	Substitute
G 1 1/2	B
G 2	C
Service life indicator	Substitute
Without	0
With (pneumatic)	1
With (electrical)	4
Drain	Substitute
Automatic	A
Manual, 1/4 turn	M

Thread	Substitute
PTF	A
ISO G	G
Filter element	Substitute
5 µm	1
40 µm	3

Flow characteristics

Port size 2", 40 µm filter element 10 bar



Accessories

Service life indicator (pneumatic)



5797-50

Service life indicator (electrical)



4020-51

Service kit

Service kit, automatic drain

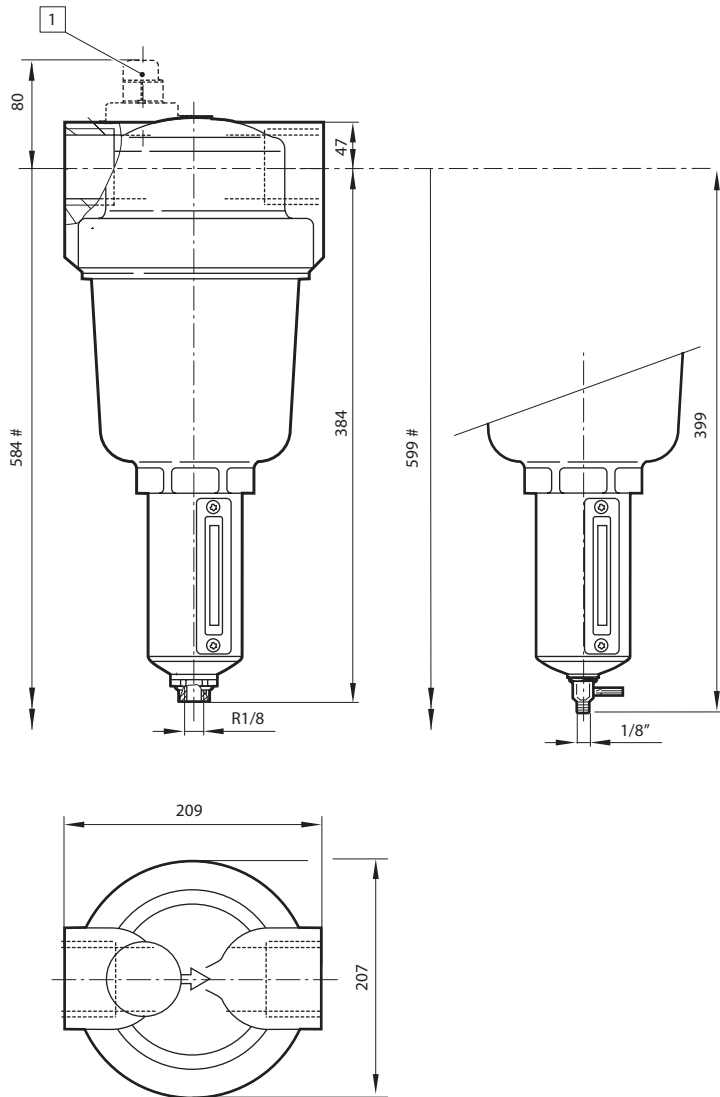


40 µm: F18-100A

5 µm: F18-100A (5)

[http://fluidpower.com.mx/norgren/productos/filtros\\_aire/](http://fluidpower.com.mx/norgren/productos/filtros_aire/)  
[http://www.fluidpower.com.mx/documentos\\_norgren/Norgren\\_F18\\_en.pdf](http://www.fluidpower.com.mx/documentos_norgren/Norgren_F18_en.pdf)

## Dimensions



# Min clearance required to remove intermediate body and bowl.

1 Service indicator optional

## Warning

These products are intended for use in industrial compressed air and rail transport systems only. Do not use these products where pressures and temperatures can exceed those listed under 'Technical features'.

Before using these products with fluids other than those specified, for non-industrial applications, life-support systems, or other applications not within published specifications, consult NORGREN.

Through misuse, age, or malfunction, components used in fluid power systems can fail in various modes.

The system designer is warned to consider the failure modes of all component parts used in fluid power systems and to provide adequate safeguards to prevent personal injury or damage to equipment in the event of such failure.

System designers must provide a warning to end users in the system instructional manual if protection against a failure mode cannot be adequately provided.

System designers and end users are cautioned to review specific warnings found in instruction sheets packed and shipped with these products.

[http://fluidpower.com.mx/norgren/productos/filtros\\_aire/](http://fluidpower.com.mx/norgren/productos/filtros_aire/)

[http://www.fluidpower.com.mx/documentos\\_norgren/Norgren\\_F18\\_en.pdf](http://www.fluidpower.com.mx/documentos_norgren/Norgren_F18_en.pdf)