

**Miniature Series 07 Oil Removal
(Coalescing) Filter 1/8" and 1/4" Port Sizes**

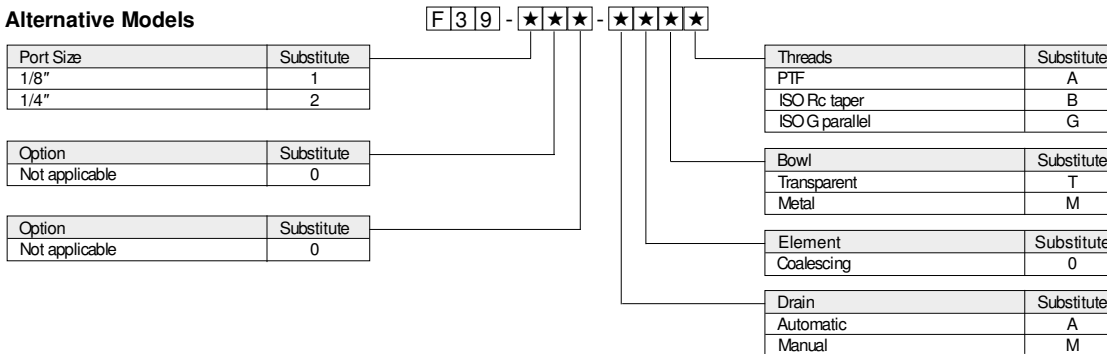
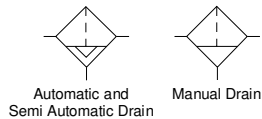
- Compact design
- High efficiency oil and particle removal
- Screw-on bowl reduces maintenance time
- Can be disassembled without the use of tools or removal from the air line



Ordering Information. Models listed include PTF threads, automatic drain and transparent bowl.

Port Size	Model Numbers	Saturated Flow* Flow scfm (dm ³ /s)	Dry Flow Flow scfm (dm ³ /s)	Weight lbs (kg)
1/8"	F39-100-A0TA	6.0 (2.8)	11.2 (5.3)	0.28 (0.13)
1/4"	F39-200-A0TA	6.4 (3.0)	12.2 (5.8)	0.28 (0.13)

* Maximum flow at 90 psig (6.3 bar) inlet pressure to maintain stated oil removal performance.

Alternative Models

ISO Symbols


See Section ALE-25 for Accessories



Technical Data

Fluid: Compressed air

Maximum pressure:

Transparent bowl: 150 psig (10 bar)

Metal bowl: 250 psig (17 bar)

Operating temperature:*

Transparent bowl: -30° to 125°F (-34° to 50°C)

Metal bowl: -30° to 150°F (-34° to 65°C)

* Air supply must be dry enough to avoid ice formation at temperatures below 2°C (35°F)

Particle removal: Down to 0.01 µm

Air quality: Within ISO 8573-1, Class 1 (particulates) and Class 2 (oil content)

Maximum remaining oil content of air leaving the filter: 0.01ppm at 70°F (21°C) with an inlet oil concentration of 17 ppm.

Maximum flow with 90 psig (6.3 bar) inlet pressure†:

1/8 ports, 6.0 scfm (2.8 dm³/s)

1/4 ports, 6.4 scfm (3 dm³/s)

† Maximum flow to maintain stated oil removal performance.

Nominal bowl size: 1 fluid ounce (31 ml)

Drain connection: 1/8" pipe thread

Automatic drain operation: Spitter type drain operates momentarily when a rapid change in air flow occurs or when the supply pressure is reduced.

Materials:

Body: Zinc

Bowl:

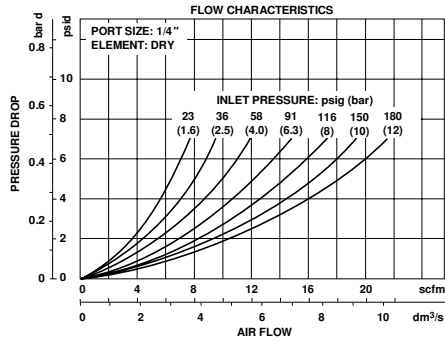
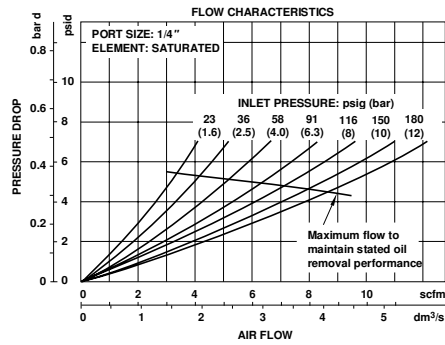
Transparent: Polycarbonate

Metal: Zinc

Element: Synthetic fiber and polyurethane foam

Elastomers: Neoprene & nitrile

Typical Performance Characteristics

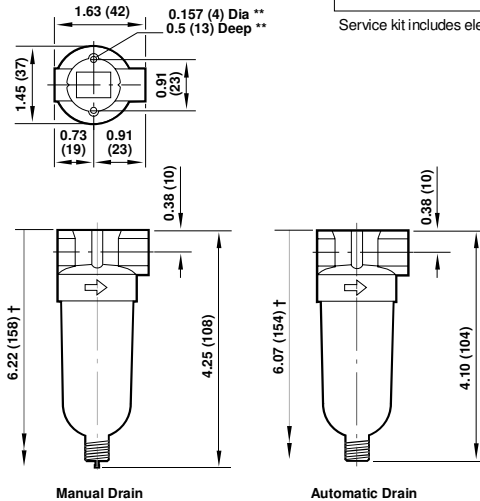


Service Kits

Item	Type	Part number
Service kit	All models	4141-10
Replacement drains	Manual	773-03
	Automatic	3654-02

Service kit includes element, element o-ring, and bowl o-ring.

All Dimensions in Inches (mm)



** Mounting holes

† Minimum clearance to remove bowl