

- > **Port size: 3/4" ... 1 1/4" (ISO G, PTF)**
- > **High efficiency oil and particle removal**
- > **Standard service indicator turns from green to red when the filter element needs to be replaced**



### Technical features

**Medium:**

Compressed air

**Operating pressure:**

17 bar (250 psi) maximum

**Particle removal:**

Down to 0,01 µm

**Flow:**

See below

**Port size:**

3/4", 1" or 1 1/4"

**Maximum remaining oil content of air leaving the filter:**

0,01 ppm at +20°C (+70°F) when air is pre-filtered with a Norgren oil removal filter

**Drain:**

Manual or automatic

**Bowl size:**

1 litre (1 quart US)

**Ambient/Media temperature:**

-34° ... +65°C (-30° ... +150°F)

Air supply must be dry enough to avoid ice formation at temperatures below +2°C (+35°F).

**Materials:**

Body and bowl: aluminum

Bowl sight glass: pyrex



Elastomers: NBR

Filter element: synthetic fiber and PU foam

**Note:**

Install an F17 filter with a 5 µm filter element upstream of the F46 filter for maximum service life.

### Technical data, standard models

Symbol	Port size	Maximum flow		Weight		Model
		(dm³/s)	scfm	(kg)	(lbs)	
	3/4"	42	90	4,11	9.06	F46-601-MODG
	1"	59	125	4,05	8.92	F46-801-MODG
	1 1/4"	59	125	4,29	9.45	F46-A01-MODG
	3/4"	42	90	4,11	9.06	F46-601-AODG
	1"	59	125	4,05	8.92	F46-801-AODG
	1 1/4"	59	125	4,29	9.45	F46-A01-AODG

\*1) Maximum flow for oil-saturated element at 6,3 bar (90 psi) inlet pressure to maintain stated oil removal performance.

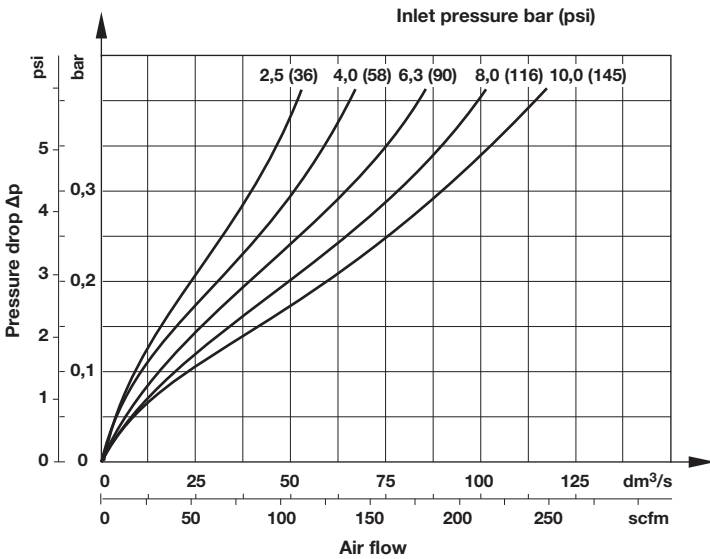
### Option selector

**F46-★0★-★0★★**

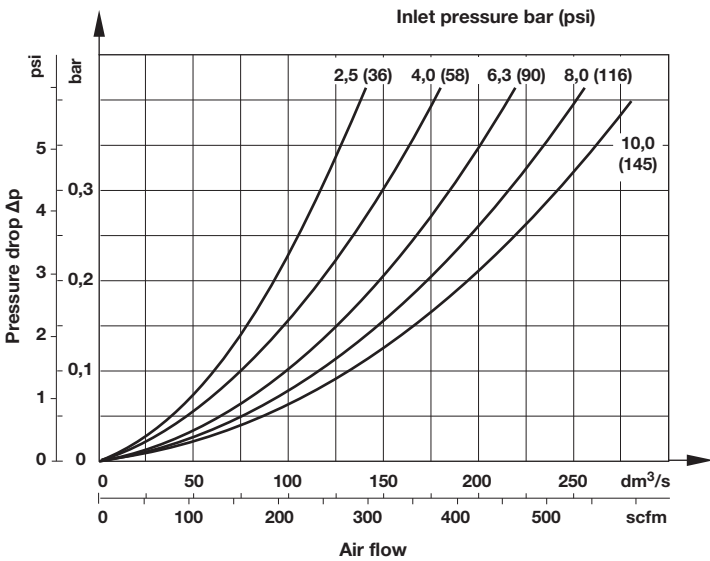
Port size	Substitute	Thread	Substitute
3/4"	<b>6</b>	PTF	<b>A</b>
1"	<b>8</b>	ISO G parallel (standard)	<b>G</b>
1 1/4"	<b>A</b>	<b>Bowl</b>	<b>Substitute</b>
<b>Service life Indicator</b>	<b>Substitute</b>	Wi h sight glass (standard)	<b>D</b>
Without	<b>0</b>	Wi hout sight glass	<b>M</b>
With (standard)	<b>1</b>		
<b>Drain</b>	<b>Substitute</b>		
Manual (standard)	<b>P</b>		
Open ended adaptor	<b>X</b>		

**Flow characteristics**

Port size: 1", oil stated element

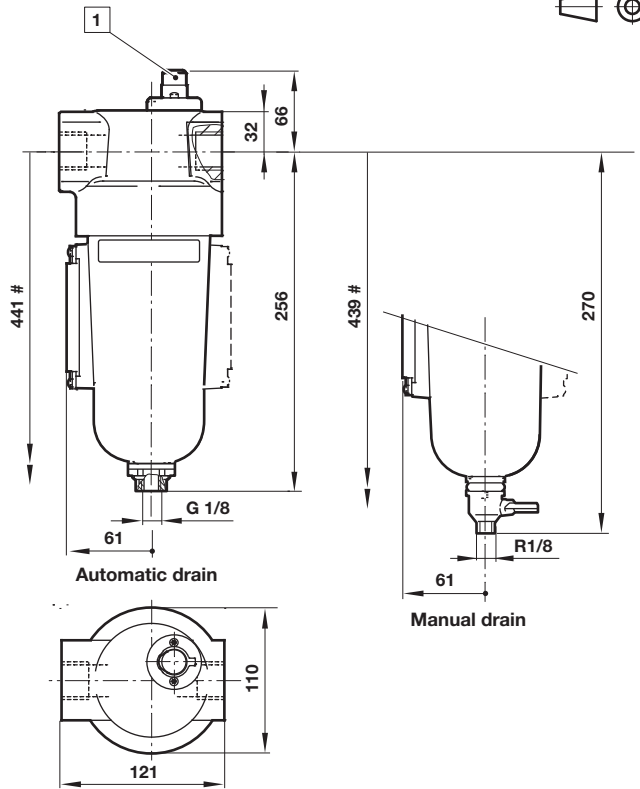


**Dry element**



**Dimensions**

Dimensions in mm  
Projection/First angle



# Min clearance required to remove intermediate body and bowl.  
1 Standard with service life indicator

**Service kit**



Service kit contains coalescing element, element o-ring, bowl o-ring, and drain gasket.

**Warning**

These products are intended for use in industrial compressed air systems only. Do not use these products where pressures and temperatures can exceed those listed under »Technical features/data«.

Before using these products with fluids other than those specified, for non-industrial applications, life-support systems or other applications not within published specifications, consult IMI NORGREN.

Through misuse, age, or malfunction, components used in fluid power systems can fail in various modes.

The system designer is warned to consider the failure modes of all component parts used in fluid power systems and to provide adequate safeguards to prevent personal injury or damage to equipment in the event of such failure.

System designers must provide a warning to end users in the system instructional manual if protection against a failure mode cannot be adequately provided.

System designers and end users are cautioned to review specific warnings found in instruction sheets packed and shipped with these products.