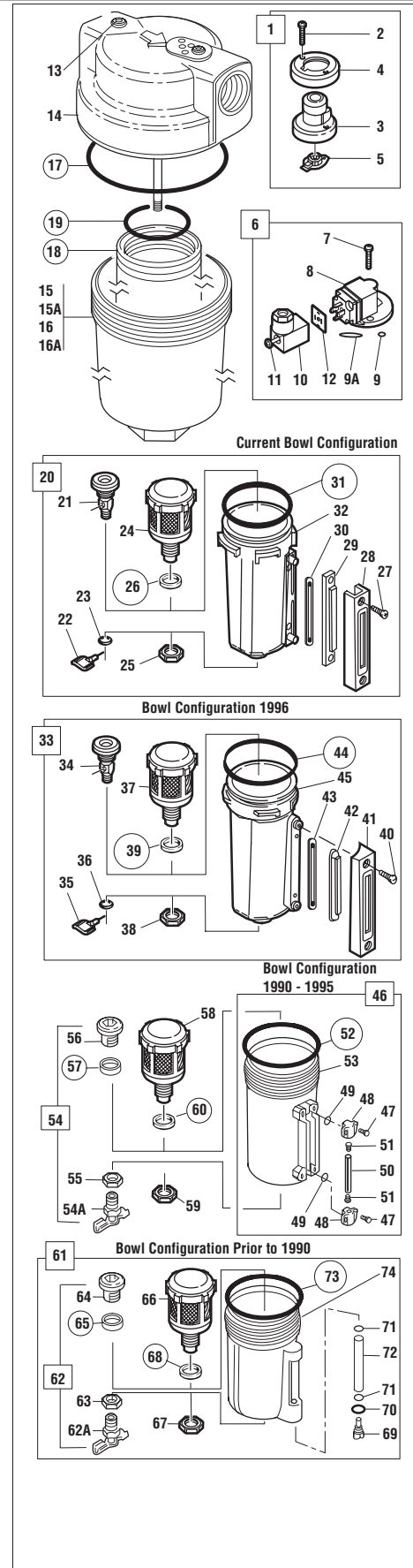


In the following parts list, assemblies are printed in capital letters. Parts that are included with an assembly are listed and indented directly beneath it. When an assembly is ordered, the assembly and all parts indented beneath it are included in the shipment.

When an assembly lists a letter code in the **USED ON** column, parts that list the same letter code are used in that assembly. Parts coded **A** are used in the Assembly coded **A**, parts coded **B** are used in the Assembly coded **B**, etc.

ITEM	DESCRIPTION	PART NO.	QTY	USED ON
1	OPTIONAL MECHANICAL SERVICE INDICATOR ASSY.....	5797-50	1	
2	• Screw.....	9F08-15	2	
3	• Body, nylon.....	Not available separately-order item 1	1	
4	• Ring support.....	Not available separately-order item 1	1	
5	• Diaphragm.....	Not available separately-order item 1	1	
6	OPTIONAL ELECTRICAL SERVICE INDICATOR ASSY.....	4020-51R	1	
7	• Screw.....	9F08-15	2	
8	• Switch.....	Not available separately-order item 6	1	
9	• Seal.....	Not available separately-order item 6	1	
9A	• Seal.....	Not available separately-order item 6	1	
10	• Connector Assy.....	4347-01	1	
11	• • Screw.....	Not available separately-order item 10	1	
12	• • Seal.....	Not available separately-order item 10	1	
13	Plug, pipe, 1/4 PTF (service kit item).....	2891-97	1	
	Plug, pipe, ISO R1/4 (service kit item).....	2845-02	1	
14	Body.....	Not normally replaced	1	
15	Intermediate Body, used with standard element, equipped with internal lugs to mount bowls 20 and 33.....	Not normally replaced	1	
15A	Intermediate Body, used with standard element, equipped with internal threads to mount bowls 46 and 61.....	Not normally replaced	1	
16	Intermediate Body, used with high flow element, equipped with internal lugs to mount bowls 20 and 33.....	Not normally replaced	1	
16A	Intermediate Body, used with high flow element, equipped with internal threads to mount bowls 46 and 61.....	Not normally replaced	1	
17	O-ring (F47 service kit item).....	2307-60	1	
18	Element, standard, 6.5" (164mm) long (F47 service kit item).....	3203-01	1	
	Element, high flow, 14.3" (363mm) long (F47 service kit item).....	3203-04	1	
19	• O-ring (F47 service kit item).....	2307-33	1	
<b>20</b>	<b>METAL BOWL ASSY, CURRENT CONFIGURATION, use with item 15 or 16</b>			
	<b>METAL BOWL ASSY, Sight glass, 1/4 turn manual drain.....</b>	<b>4303-51R</b>	<b>1</b>	<b>A</b>
	<b>METAL BOWL ASSY, Sight glass, automatic drain.....</b>	<b>4303-52R</b>	<b>1</b>	<b>B</b>
21	• MANUAL DRAIN ASSY, 1/4 turn.....	619-50	1	A
22	• • Valve, drain.....	617-89	1	A
23	• • O-ring.....	2317-05	1	A
24	• AUTOMATIC DRAIN ASSY, 1/8 PTF Outlet *.....	3000-10	1	B
25	• • Nut.....	2797-89	1	B
26	• • Gasket (F47 service kit item).....	2811-01	1	B
27	• Screw (4380-050 service kit item).....	9P06-12	2	AB
28	• Clamp, sight glass.....	4323-01	1	AB
29	• Lens, sight glass (4380-050 service kit item).....	4321-88	1	AB
30	• Seal, sight glass lens (4380-050 service kit item).....	4322-87	1	AB
31	• O-ring, bowl (4380-050 service kit item) (F47 service kit item).....	2316-38	1	AB
32	• Bowl, metal.....	Not normally replaced	1	AB
<b>33</b>	<b>METAL BOWL, 1996 CONFIGURATION, use with item 15 or 16 Replaced by item 20</b>			
34	• MANUAL DRAIN ASSY, 1/4 turn.....	619-50	1	
35	• • Valve, drain.....	617-89	1	
36	• • O-ring.....	2317-05	1	
37	• AUTOMATIC DRAIN ASSY, 1/8 PTF Outlet *.....	3000-10	1	
38	• • Nut.....	2797-89	1	
39	• • Gasket (F47 service kit item).....	2811-01	1	
40	• Screw (4380-050 service kit item).....	9P06-10	2	
41	• Clamp, sight glass.....	4323-01	1	
42	• Lens, sight glass (4380-050 service kit item).....	4321-89	1	
43	• Seal, sight glass lens (4380-050 service kit item).....	4322-99	1	
44	• O-ring, bowl (4380-050 service kit item) (F47 service kit item).....	2316-38	1	
45	• Bowl, metal.....	Not normally replaced	1	



ITEM	DESCRIPTION	PART NO.	QTY	USED ON
46	METAL BOWL ASSY, 1990 - 1995 CONFIGURATION, use with item 15A Bowl has open bottom - also order manual drain (54) or auto drain (58).....	5860-197	1	
47	● Screw (2273-20 service kit item) .....	3391-05	4	
48	● Bracket .....	3778-89	2	
49	● O-ring (2273-20 service kit item) .....	706-01	2	
50	● Gauge glass (2273-20 service kit item).....	5872-01	1	
51	● Seal (2273-20 service kit item).....	5873-83	2	
52	● O-ring (2273-20 service kit item) (F47 service kit item).....	2315-37	1	
53	● Bowl, metal .....	Not normally replaced	1	
54	MANUAL DRAIN ASSY .....	2796-52	1	
54A	● Manual drain, petcock .....	684-01	1	
55	● Nut .....	2797-89	1	
56	● INSERT AND GASKET ASSY .....	2796-50	1	
57	● Gasket (F47 service kit item) .....	2811-01	1	
58	AUTOMATIC DRAIN ASSY, 1/8 PTF Outlet * .....	3000-10	1	
59	● Nut .....	2797-89	1	
60	● Gasket (F47 service kit item) .....	2811-01	1	
61	METAL BOWL ASSY PRIOR TO 1990, use with 15A .....	Replaced by item 46	1	
62	● MANUAL DRAIN ASSY .....	2796-52	1	
62A	● Manual drain, petcock.....	684-01	1	
63	● Nut.....	2797-89	1	
64	● INSERT AND GASKET ASSY .....	2796-50	1	
65	● Gasket (F47 service kit item).....	2811-01	1	
66	● AUTOMATIC DRAIN ASSY, 1/8 PTF Outlet * .....	3000-10	1	
67	● Nut.....	2797-89	1	
68	● Gasket (F47 service kit item) .....	2811-01	1	
69	● Retainer.....	Not available	1	
70	● O-ring (2273-08 service kit item).....	720-01	2	
71	● Seal (2273-08 service kit item).....	5873-89	2	
72	● Gauge glass (2273-08 service kit item).....	5872-01	1	
73	● O-ring (F47 service kit item) .....	2315-37	1	
74	● Bowl, metal .....	Not normally replaced	1	

**SERVICE KITS & ACCESSORIES**

F47 service kit, standard element - includes items circled on exploded view .....3203-02  
 F47 service kit, high flow element - includes items circled on exploded view.....3203-05  
 Liquid level lens kit for 1996 and current bowls - Items 27, 29, 30, 31, 40, 42, 43, 44.....4380-050  
 Liquid level lens kit for 1990 thru 1995 bowl - Items 47, 49, 50, 51, 52.....2273-20  
 Liquid level lens kit for bowls prior to 1990- Items 70, 71, 72 .....2273-08

\* For optional low flow automatic drain with 1/8 PTF outlet, specify 3000-11.  
 For standard automatic drain with ISO G1/8 outlet, specify 3000-97.

