

Olympian Plus Puraire High Efficiency Oil Removal Filter 1/4", 3/8", 1/2", and 3/4" Port Sizes

- Olympian Plus plug in design
- High efficiency oil and particle removal
- Quick release bayonet bowl
- High visibility prismatic sight glass
- Coalescing element service indicator

Install an F64G pre-filter with a 5 µm filter element upstream of the F64C filter for optimum coalescing element life.



Ordering Information. Models listed include PTF threads, service indicator, automatic drain, and metal bowl.

Drain Type	Port Size	F64C/H (only) Model	Maximum Flow* scfm (dm³/s)	Weight lb (kg)
Automatic	1/4"	F64C-2AD-AD0	34 (16)	3.26 (1.48)
	3/8"	F64H-3AD-AD0	60 (28)	3.75 (1.70)
	1/2"	F64H-4AD-AD0	60 (28)	3.68 (1.67)
	3/4"	F64H-6AD-AD0	60 (28)	4.43 (2.01)

For replacement Filter (without yoke or pre-filter) substitute 'N' at the 5th and 6th digits eg: F64H-NND-AD0.

* Maximum flow with 90 psig (6.3 bar) inlet pressure to maintain stated oil removal performance.

Alternative Models

F 6 4 ★ - ★ ★ ★ - ★ ★ ★

Body type	Substitute
For 1/4"	C
For 3/8", 1/2", 3/4"	H

Port Size	Substitute
1/4"	2
3/8"	3
1/2"	4
3/4"	6

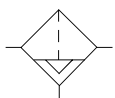
Threads	Substitute
PTF	A
ISO Rc taper	B
ISO G parallel	G

Element	Substitute
Coalescing	0

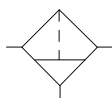
Bowl	Substitute
Metal with liquid level indicator	D
Transparent with guard	P

Drain	Substitute
Manual, 1/4 turn	Q
Auto drain	A

Service Life Indicator	Substitute
With (visual)	D
Without	N
With (electrical)†	E

ISO Symbols


Automatic and Semi Automatic Drain



Manual Drain

See Section ALE-24 for Accessories



Technical Data

Fluid: Compressed air
 Maximum pressure: 250 psig (17 bar)
 Operating temperature*: 0° to +150°F (-20° to +65°C)

* Air supply must be dry enough to avoid ice formation at temperatures below +35°F (+2°C).
 Particle removal: 0.01 µm

Air quality: Within ISO 8573-1, Class 1 (particulates) and Class 2 (oil content).

Maximum remaining oil content: 0.01 mg/m³ at +70°F (+20°C) with an inlet concentration of 17 mg/m³.

Maximum flow at 90 psig (6.3 bar) inlet pressure to maintain stated oil removal performance:

1/2" ports: 74 scfm (35 dm³/s)

3/4" ports: 74 scfm (35 dm³/s)

1" ports: 127 scfm (60 dm³/s)

1/4 turn manual drain connection: 1/8" pipe thread

Automatic drain connection: 1/8" pipe thread

Automatic drain operating conditions (float operated):

Bowl pressure required to close drain: Greater than 5 psig (0.3 bar)

Bowl pressure required to open drain: Less than 3 psig (0.2 bar)

Minimum air flow required to close drain: 2 scfm (1 dm³/s)

Manual operation: Depress pin inside drain outlet to drain bowl

Nominal bowl size:

1 pint U.S. (0.5 liter)

1 quart U.S. (1 liter)

Materials:

Body: Aluminum

Yoke: Aluminum

Bowl: Aluminum

Liquid level indicator: Pyrex

Element: Synthetic fibre and polyurethane foam

Elastomers: Synthetic rubber

Service life indicator:

Body: Transparent nylon

Internal parts: Acetal

Spring: Stainless steel

Elastomers Nitrile

An automatic drain is a two-way valve, which will close when the system is pressurized. The drain opens when the float rises due to accumulated liquid and on depressurization.

Typical Performance Characteristics

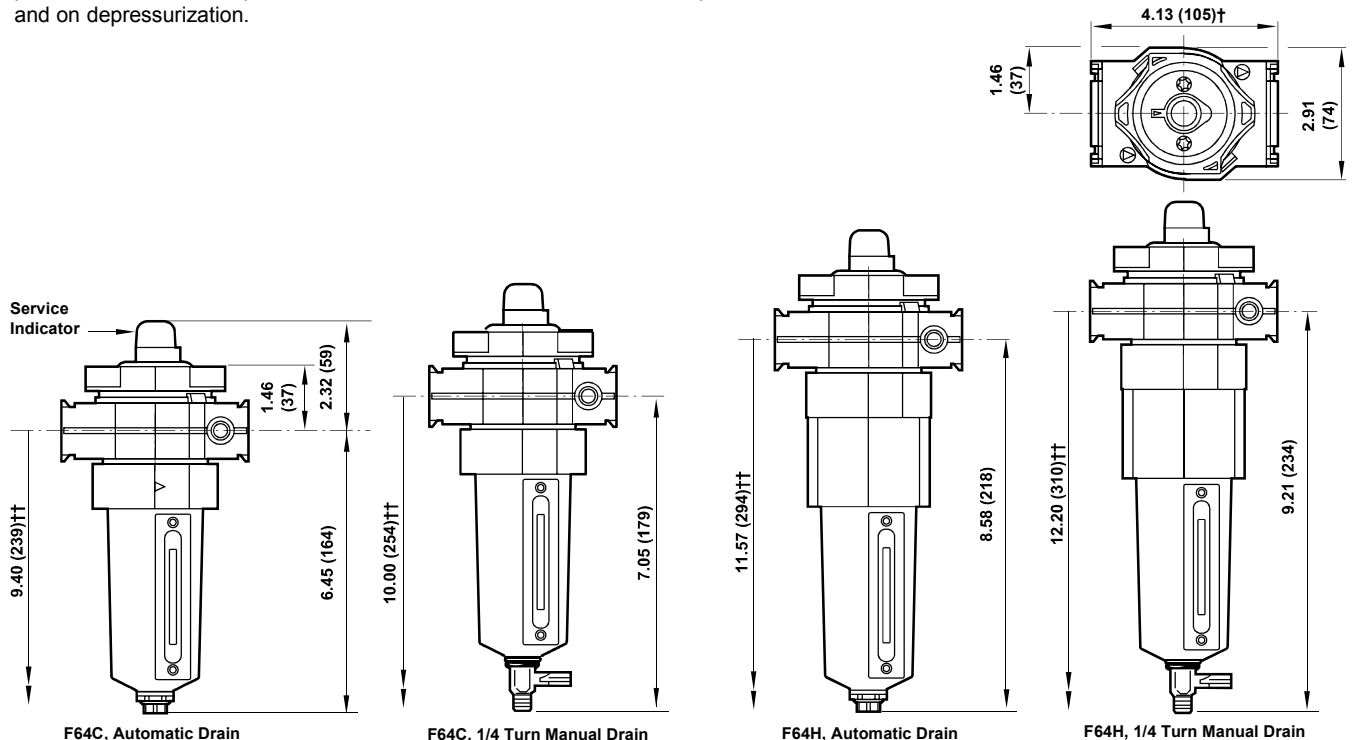
Inlet Pressure		Maximum Flow†			
		F64C		F64H	
psig	(bar)	scfm	(dm ³ /s)	scfm	(dm ³ /s)
15	(1)	14	(6.4)	24	(11.2)
45	(3)	23	(11.0)	41	(19.3)
70	(5)	30	(14.3)	53	(24.9)
90	(6.3)	34	(16.0)	59	(28.0)
100	(7)	36	(16.9)	63	(29.5)
130	(9)	40	(19.1)	71	(33.5)

† Maximum flow to maintain stated oil removal performance.

Service Kits

Item	Type	Part Number
Service kit	F64C/H	4380-200
Service kit (pre-filter)	F64G	4380-200
Element F64G (pre-filter)	5 µm	4338-01
Element F64C	Coalescing	4344-01
Element F64H	Coalescing	4344-02
Replacement sight glass	Prismatic (standard)	4380-040
	Pyrex	4380-041
Replacement drains	Automatic	3000-97
	Manual	684-84

Service kit includes port seals, louver o-ring, bowl o-ring and drain gasket.



† 6.18" (157) for 3/4" ports.

†† Minimum clearance required to remove unit.