

**68 Series Oil Removal (Coalescing) Filter
1/2", 3/4", and 1" Port Sizes**

- **Olympian Plus plug-in system**
- **Coalescing element provides high efficiency oil and particle removal**
- **Standard visual service indicator turns from green to red when the filter element needs to be replaced**
- **Oil and dirt contamination in outlet air within ISO 8573-1: Quality Class 1.7.2**
- **Factory optional electrical service life indicator provides electrical output when the filter element needs to be replaced - see page ALE-25-23**

Install an F68G pre-filter with a 5 µm filter element upstream of the F68C/H filter for optimum coalescing element life.



Ordering Information. Models listed include a yoke with PTF threads, filter with service life indicator, automatic drain, and bowl with liquid level indicator.

Port Size	Type	Model	Weight lb (kg)
1/2	Standard flow (short element)	F68C-4AD-AR0	5.19 (2.36)
3/4	High flow (long element)	F68H-6AD-AU0	5.85 (2.66)
1	High flow (long element)	F68H-8AD-AU0	5.72 (2.60)

Alternative Models

F 6 8 ★ - ★ ★ ★ - ★ ★ ★

Flow	Substitute
Standard, 1 pint (0.5 liter bowl)	C
High, 1 quart (1 liter) bowl	H

Port Size	Substitute
1/2"	4*
3/4"	6
1"	8
None	N

Threads	Substitute
PTF	A
ISO Rc taper	B
ISO G parallel	G
None	N

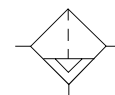
Service Life Indicator	Substitute
Visual	D
Electrical	E
Without	N

Element	Substitute
Coalescing	0

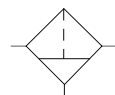
Bowl	Substitute
1 quart (1 liter) without liquid level indicator	C**
1 pint (0.5 liter) without liquid level indicator	M*
1 pint (0.5 liter) with liquid level indicator	R*
1 quart (1 liter) with liquid level indicator	U**

Drain	Substitute
Automatic	A
No drain (Closed bowl)	E
Manual	M
Manual, 1/4 turn	Q

* Only available with F68C.
** Only available with F68H.

ISO Symbols


Automatic and Semi Automatic Drain



Manual Drain



Technical Data

Fluid: Compressed air
 Maximum pressure: 250 psig (17 bar)
 Operating temperature*: 0° to +150°F (-20° to +65°C)

* Air supply must be dry enough to avoid ice formation at temperatures below +35°F (+2°C).

Particle removal: 0.01 µm
 Air quality: Within ISO 8573-1, Class 1 (particulates) and Class 2 (oil content).
 Maximum remaining oil content: 0.01 mg/m³ at +70°F (+20°C) with an inlet concentration of 17 mg/m³.

Maximum flow at 90 psig (6.3 bar) inlet pressure to maintain stated oil removal performance:

- 1/2" ports: 74 scfm (35 dm³/s)
- 3/4" ports: 74 scfm (35 dm³/s)
- 1" ports: 127 scfm (60 dm³/s)

1/4 turn manual drain connection: 1/8" pipe thread

Automatic drain connection: 1/8" pipe thread

Automatic drain operating conditions (float operated):

- Bowl pressure required to close drain: Greater than 5 psig (0.3 bar)
- Bowl pressure required to open drain: Less than 3 psig (0.2 bar)
- Minimum air flow required to close drain: 2 scfm (1 dm³/s)
- Manual operation: Depress pin inside drain outlet to drain bowl

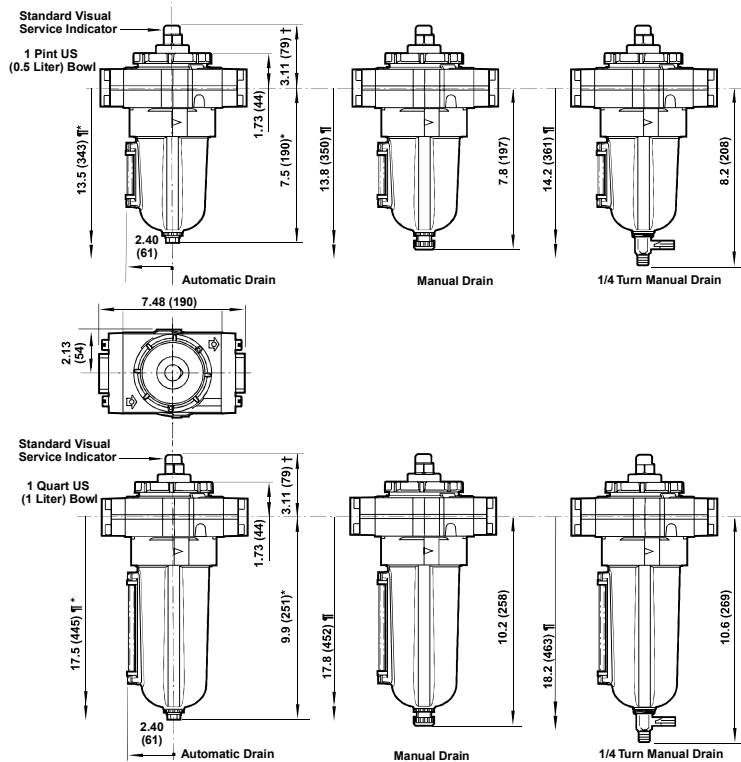
Nominal bowl size:

- 1 pint U.S. (0.5 liter)
- 1 quart U.S. (1 liter)

Materials:

- Body: Aluminum
- Yoke: Aluminum
- Bowl: Aluminum
- Liquid level indicator: Pyrex
- Element: Synthetic fibre and polyurethane foam
- Elastomers: Synthetic rubber
- Service life indicator:
 - Body: Transparent nylon
 - Internal parts: Acetal
 - Spring: Stainless steel
 - Elastomers: Nitrile

An automatic drain is a two-way valve, which will close when the system is pressurized. The drain opens when the float rises due to accumulated liquid and on depressurization.

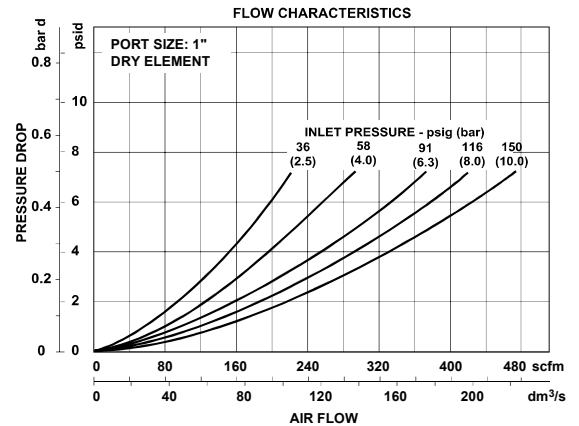
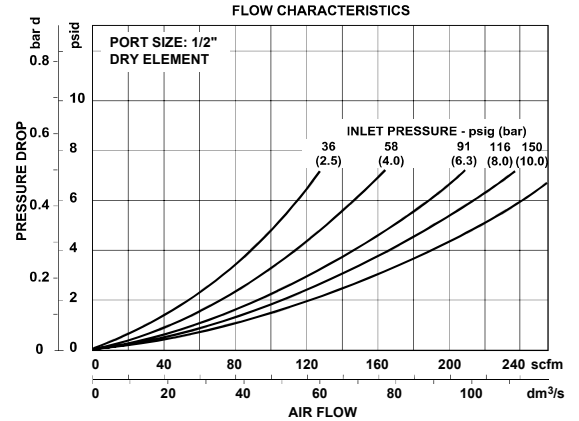


† For optional electrical service life indicator, add 0.02" (5 mm). * Dimension also applies to closed bottom bowl.
 † Minimum clearance required to remove bowl.

Typical Performance Characteristics

Inlet Pressure	Maximum Flow*					
	F68C 1/2" Ports		F68H 3/4" Ports		F68H 1" Ports	
psig (bar)	scfm	(dm ³ /s)	scfm	(dm ³ /s)	scfm	(dm ³ /s)
15 (1)	30 (14)		30 (14)		51 (24)	
45 (3)	51 (24)		51 (24)		87 (41)	
70 (5)	66 (31)		66 (31)		112 (53)	
90 (6.3)	74 (35)		74 (35)		127 (60)	
100 (7)	78 (36.7)		78 (36.7)		133 (63)	
130 (9)	89 (42)		89 (42)		153 (72)	

* Maximum flow to maintain stated oil removal performance.



Service Kits

Item	Type	Part Number
Service Kit	Seal and gasket	4380-301
Replacement Elements	Standard flow (F68C)	5351-08
	High flow (F68H)	5351-03
Replacement	1 pint US (0.5 liter)	4380-060
Replacement	1 quart US (1 liter)	4380-061
Replacement Drains	Automatic (G 1/8 outlet)	3000-04
	Automatic (1/8 NPT outlet)	3000-03
	Manual	684-84
	Manual, 1/4 turn	619-50

Service kit Includes element seal, bowl seal, drain seal.