

Excelon 74 General Purpose Filter
3/8", 1/2", 3/4" Port Sizes

- Excelon design allows in-line or modular installation**
- Quick release bayonet bowl**
- Highly visible, prismatic liquid level indicator lens**
- Optional mechanical service indicator turns from green to red when the filter element needs to be replaced**
- Optional electrical service indicator provides electrical output when the filter element needs to be replaced**
- Modular installations with Excelon 72, 73, and 74 series can be made to suit particular applications**



Ordering information. Models listed include PTF threads, automatic drain, metal bowl with liquid level indicator, and a 40 µm element.

Port Size	Model	Flow* scfm (dm ³ /s)	Weight lb (kg)
3/8"	F74G-3AN-AD3	112 (53)	1.82 (0.83)
1/2"	F74G-4AN-AD3	140 (66)	1.79 (0.81)
3/4"	F74G-6AN-AD3	140 (66)	1.75 (0.79)

* Typical flow with a 40 µm element at 90 psig (6.3 bar) inlet pressure and 5 psig (0.35 bar) pressure drop.

Alternative Models

Port Size	Substitute	Element	Substitute
3/8"	3	5 µm	1
1/2"	4	25 µm	2
3/4"	6	40 µm	3

Threads	Substitute	Bowl	Substitute
PTF	A	Metal with liquid level indicator	D
ISO Rc taper	B	Transparent with guard	P
ISO G parallel	G		

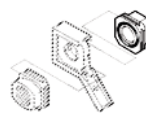
Service Life Indicator	Substitute	Drain	Substitute
With (visual)	D	Automatic	A
With (electrical)	E	Manual, 1/4 turn	Q
Without	N		

Accessories

Wall mounting bracket*



F74G 4324-50

 Quikmount pipe adapters
 (quantity of 1) (NPT)

 4315-02 (3/8)
 4315-03 (1/2)
 4315-04 (3/4)

Quikclamp†



4314-51

 Quikclamp® and
 wall bracket


4314-52

ISO Symbols

Auto Drain

Manual Drain

* Bracket kit does not include wall mounting screws.

† Quikclamp is patented (US patent 5372392) and foreign patents.

Technical Data

Fluid: Compressed air

Maximum pressure

Transparent bowl: 150 psig (10 bar)

Metal bowl: 250 psig (17 bar)

Operating temperature*:

Transparent bowl: -34° to 125°F (-30° to 50°C)

Metal bowl: -34° to 175°F (-30° to 80°C)

* Air supply must be dry enough to avoid ice formation at temperatures below 35°F (2°C).

Particle removal: 5, 25, or 40 µm filter element

Air quality: Within ISO 8573-1, Class 3 and Class 5 (particulates)

Typical flow with a 40 µm element at 90 psig (6.3 bar) inlet pressure and 5 psig (0.35 bar) pressure drop: 140 scfm (66 dm³/s)

Manual drain connection: Will fit 1/8-27 and 1/8-28 pipe thread

Automatic drain connection: Will fit 1/8-27 and 1/8-28 pipe thread. - Flexible tube with 3/16" (5mm) minimum I.D. can be connected to the automatic drain. Drain may fail to operate if the tube I.D. is less than 3/16" (5mm). Avoid restrictions in the tube.

Automatic drain operating conditions (float operated):

Bowl pressure required to close drain: Greater than 5 psig (0.3 bar)

Bowl pressure required to open drain: Less than 3 psig (0.2 bar)

Minimum air flow required to close drain: 2 scfm (1 dm³/s)

Manual operation: Depress pin inside drain outlet to drain bowl

Nominal bowl size: 7 fluid ounce (0.2 liter)

Materials

Body: Aluminum

Bowl

Transparent: Polycarbonate with steel bowl guard

Metal: Aluminum

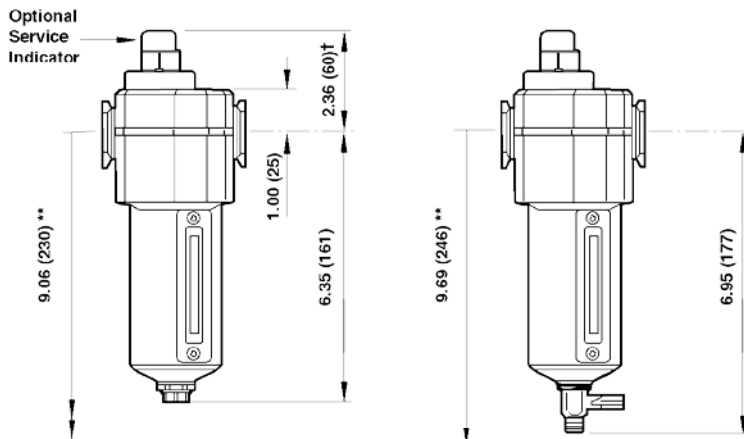
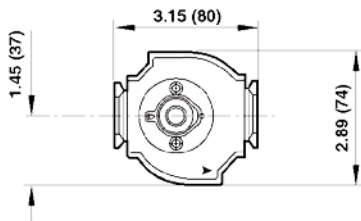
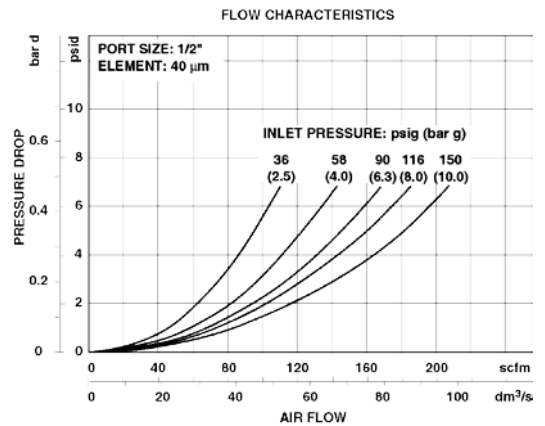
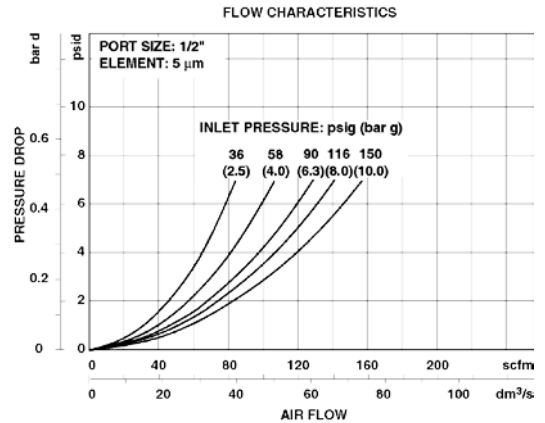
Metal bowl liquid level indicator lens: Transparent nylon

Element: Sintered polypropylene

Elastomers: Neoprene and Nitrile

An automatic drain is a two-way valve, which will close when the system is pressurized. The drain opens when the float rises due to accumulated liquid and on depressurization.

Typical Performance Characteristics



* Minimum clearance required to remove bowl.

† Dimension for alternative electrical service indicator is 1.98" (50.4 mm)

* Minimum clearance required to remove bowl.

† Dimension for alternative electrical service indicator is 1.98" (50.4 mm)

Service Kits

Item	Type	Part Number
Service kit	Seal & gasket	4380-700
Replacement elements	5 µm	4338-04
	25 µm	4338-07
	40 µm	4338-05
Liquid level lens kit	Prismatic	4380-050
Replacement drains	Automatic (1/8 NPT outlet)	3000-10
	Manual quarter turn	619-50

Service kit includes louvre/element seal, drain seal, bowl seal.