

L20AG

High flow pressure regulator

1/2" ... 1"

Ported regulators for general purpose pneumatic applications

Relieving operation as standard

Options include non-relieving models and alternative spring ranges

Wide temperature range

Shock and vibration tested to EN 61373, Category 1, class A and B



Technical features

Medium:

Compressed air only

Pressure range:

See below

Maximum inlet pressure:

28 bar (400 psi)

Gauge port:

Rc 1/8 with main G ports
1/8 PTF with main PTF ports

Operating temperature:

-20 ... +80°C (-4 ... +176°F)

Air supply must be dry enough

to avoid ice formation at temperatures below +2°C (+35°F)

Materials:

Body & bonnet: zinc alloy
Bottom plug: glass filled nylon for 1/2", brass for 3/4" and 1"
Adjusting screw: steel plated
Elastomers: synthetic rubber

Technical data

Port size	Flow dm ³ /s	scfm	Pressure range (bar)*	Relieving	Weight kg	lb	Model with ISO G-thread	Model with PTF-thread
1/2	60	127	0,1 ... 3,5	Standard	1,40	3.08	L20AG-X4G-PD100	L20AG-X4G-AD100
1/2	60	127	0,2 ... 8	Standard	1,30	2.86	L20AG-X4G-PH100	L20AG-X4G-AH100
1/2	60	127	7 ... 16	Standard	1,29	2.84	L20AG-X4G-PJ100	L20AG-X4G-AJ100
3/4	80	170	0,1 ... 3,5	Standard	2,75	6.06	L20AG-X6G-PD100	L20AG-X6G-AD100
3/4	80	170	0,2 ... 8	Standard	2,85	6.28	L20AG-X6G-PH100	L20AG-X6G-AH100
1	100	212	0,1 ... 3,5	Standard	2,44	5.37	L20AG-X8G-PD100	L20AG-X8G-AD100
1	100	212	0,2 ... 8	Standard	2,90	6.39	L20AG-X8G-PH100	L20AG-X8G-AH100

*Can be adjusted to zero bar outlet pressure and generally to pressures in excess of those specified

Option selector

L20AG-X★G-★★100

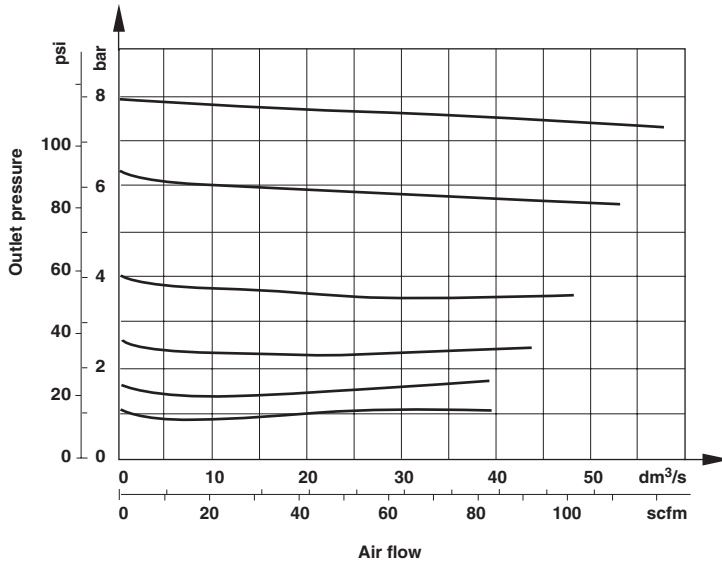
Port size	Substitute
1/2"	4
3/4"	6
1"	8

* Outlet pressure can be adjusted to pressures in excess of, and less than, those specified. Do not use these units to control pressures outside of the specified ranges.

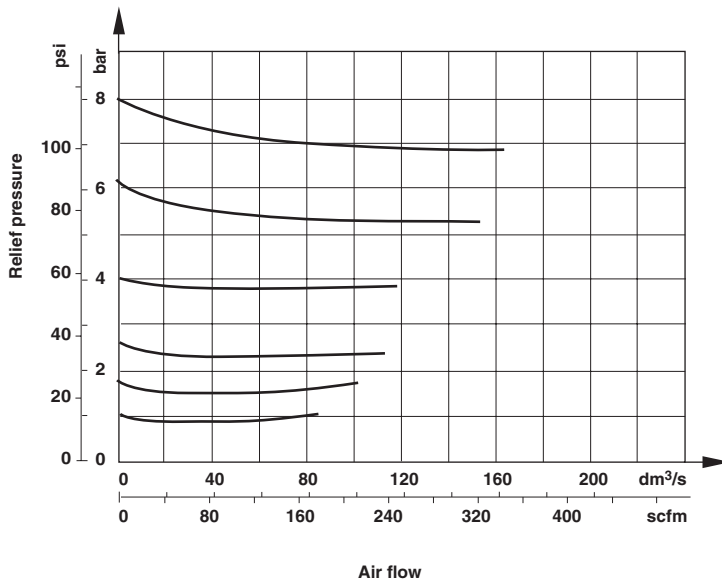
Pressure ranges*	Substitute
0,1 ... 3,5 bar	D
0,2 ... 8 bar	H
7 ... 16 bar, 1/2" only	J
Threads	Substitute
PTF	A
ISO G parallel	P

Flow characteristics

Inlet pressure: 10 bar (145 psi), port size: 1/2"
Range: 0,2 ... 8 bar (3 ... 116 psi)



Inlet pressure: 10 bar (145 psi), port size: 1"
Range: 0,2 ... 7 bar (3 ... 101 psi)



Accessories



Wall mounting bracket



1

18-001-005 (1/2" body only)
18-001-029

Service kit



20AG-X4-101 (1/2" body only)
20AG-X8-101

Gauge



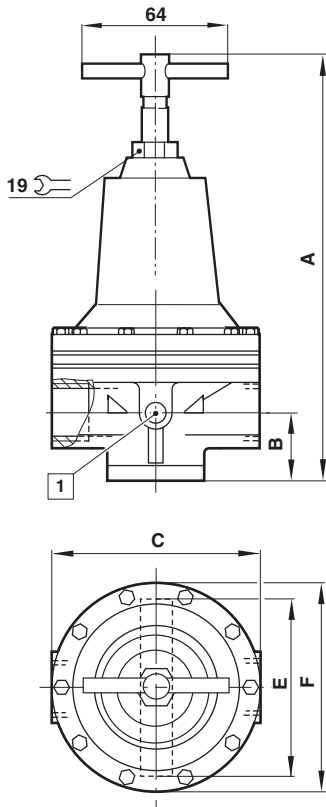
6



6

Series	Port size	Pressure range in bar	Pressure range in psi	Diameter	Model
L20AG (ISO G main port)	Rc 1/8	0 ... 10	0 ... 140	40 mm	18-013-989
L20AG (PTF main port)	1/8 PTF	0 ... 11	0 ... 160	2"	18-013-204
L20AG (ISO G main port)	Rc 1/8	0 ... 10	0 ... 140	50 mm	18-013-013

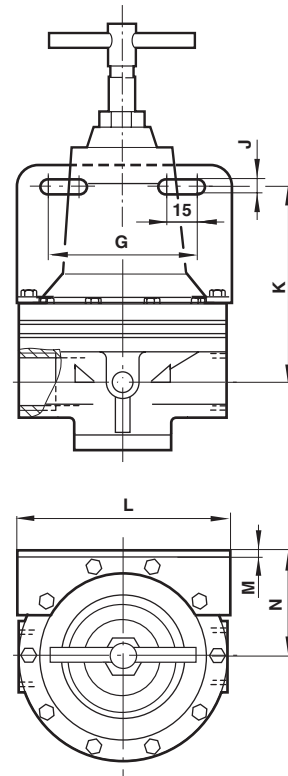
Dimensions



1 Gauge port

Series	A	B	C	E	Ø F
L20AG-X4G	162	36	86	82	83
L20AG-X6G	190	41	124	108	124
L20AG-X8G	190	41	124	108	124

Bracket mounting



Dimensions shown in mm
Projection/First angle



Series	G	J	K	L	M	N
L20AG-X4G	63	5	73	83	2	57
L20AG-X6G	98	8	76	124	2	75
L20AG-X8G	98	8	76	124	2	75

Warning

These products are intended for use in industrial compressed air and rail transport systems only. Do not use these products where pressures and temperatures can exceed those listed under 'Technical features'.

Before using these products with fluids other than those specified, for non-industrial applications, life-support systems, or other applications not within published specifications, consult NORGREN.

Through misuse, age, or malfunction, components used in fluid power systems can fail in various modes.

The system designer is warned to consider the failure modes of all component parts used in fluid power systems and to provide adequate safeguards to prevent personal injury or damage to equipment in the event of such failure.

System designers must provide a warning to end users in the system instructional manual if protection against a failure mode cannot be adequately provided.

System designers and end users are cautioned to review specific warnings found in instruction sheets packed and shipped with these products.