

LR17

General purpose regulator

3/4", 1", 1 1/4" & 1 1/2"

- Accurate and quick response to changes in flow demand and line pressure variations
- Balanced valve minimizes effect of changes in inlet pressure on outlet pressure
- Standard relieving models allow reduction of outlet pressure even when the system is dead-ended
- Low torque, non-rising adjusting knob
- Integral locking device on knob adjustment
- Can be serviced without removal from the air line
- Wide temperature range
- Shock and vibration tested to EN 61373, Category 1, class A and B



Technical features

Medium:
Compressed air

Pressure range:
0,3 ... 8,5 bar (5 ... 125 psi)

Maximum pressure:
20 bar (290 psi)

Typical flow:
See below

Gauge ports:
1/4" PTF with PTF main ports
R1/4 with ISO Rc, ISO G main ports

Operating temperature:
-34 ... +80°C (-30 ... +175°F)

Air supply must be dry enough to avoid ice formation at temperatures below +2°C (+35°F)

Materials:
Body and bonnet: aluminum
Bottom plug: acetal
Valve: aluminum and nylon
Elastomers: nitrile

Technical data

Port size	Flow* dm³/s	scfm	Weight		Model with ISO G or BSPP-thread	Model with PTF-thread
			kg	lb		
3/4"	208	446	1,05	2.31	LR17-600-RNLG	LR17-600-RNLA
1"	227	487	0,92	2.02	LR17-800-RNLG	LR17-800-RNLA
1-1/4"	189	405	1,22	2.68	LR17-A00-RNLG	LR17-A00-RNLA
1-1/2"	208	446	1,18	2.60	LR17-B00-RNLC	LR17-B00-RNLA

* Typical flow with 10 bar (145 psi) inlet pressure, 6,3 bar (90 psi) set pressure and a 1 bar (15 psi) droop from set.

Option selector

LR17-★0★-RN★★

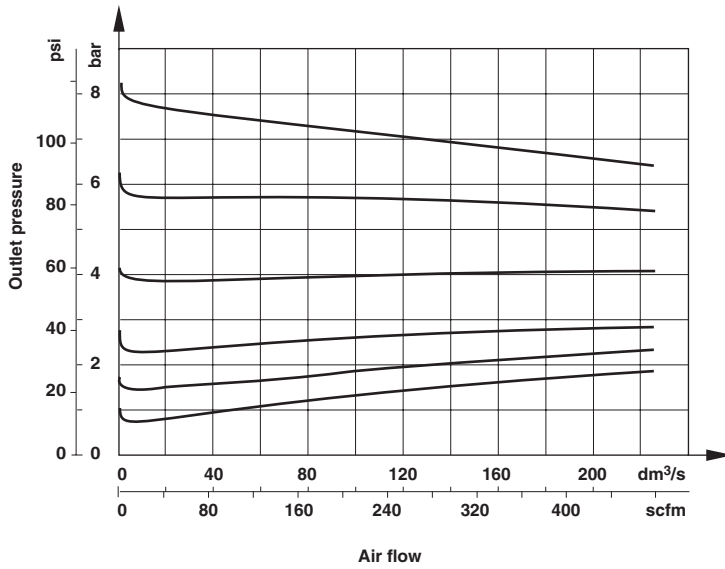
Port size	Substitute
3/4"	6
1"	8
1 1/4"	A
1 1/2"	B
Adjustment	Substitute
Knob	0
T-bar	1

Threads	Substitute
PTF	A
BSPP (1 1/2" ported units only)	C
ISO G parallel (not available with 1-1/2" ported units)	G
Pressure adjustment ranges*	Substitute
0,3 ... 3,5 bar (5 ... 50 psi)	E
0,3 ... 8,5 bar (5 ... 125 psi)	L

* Outlet pressure can be adjusted to pressures in excess of, and less than, those specified. Do not use these units to control pressures outside of the specified ranges.

Typical performance characteristics

LR17 – Port size 1", spring range 0,3 ... 8 bar (5 ... 125 psi), inlet pressure 10 bar (145 psi)



Accessories

Gauge
(for full technical specification see page 4-61)



6

6

Pressure range in bar

Pressure range in psi

Series	Port size	Pressure range in bar	Pressure range in psi	Diameter	Model
17 (ISO G main port)	Rc 1/4	0 ... 10	0 ... 160	50 mm	18-013-013*
17 (PTF main port)	1/4 PTF			2"	18-013-209

*Please order the adaptor 150232818 separately.

Service kit

Service kit

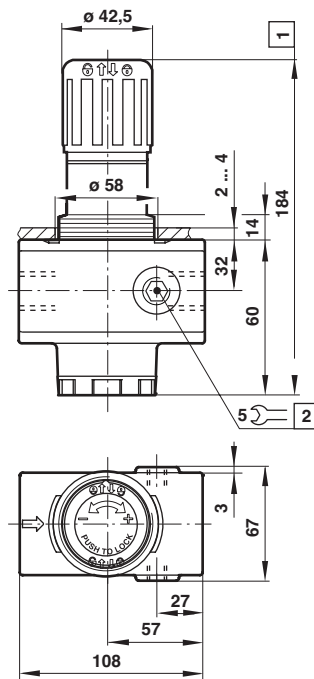


5578-21

Dimensions

Dimensions shown in mm

Projection/First angle



1 Reduces by 4 mm with knob in locked position

2 Gauge port

Warning

These products are intended for use in industrial compressed air and rail transport systems only. Do not use these products where pressures and temperatures can exceed those listed under 'Technical features'.

Before using these products with fluids other than those specified, for non-industrial applications, life-support systems, or other applications not within published specifications, consult NORGREN.

Through misuse, age, or malfunction, components used in fluid power systems can fail in various modes.

The system designer is warned to consider the failure modes of all component parts used in fluid power systems and to provide adequate safeguards to prevent personal injury or damage to equipment in the event of such failure.

System designers must provide a warning to end users in the system instructional manual if protection against a failure mode cannot be adequately provided.

System designers and end users are cautioned to review specific warnings found in instruction sheets packed and shipped with these products.