

Miniature General Purpose Regulators

R07, R46

R07 General purpose

Snap action knob locks pressure setting when pushed in

Standard relieving models allow reduction of outlet pressure even when the system is dead-ended

R46 Non-repairable

Wrench flats for easy installation

Relieving piston design allows reduction of downstream pressure when the system is dead-ended

Choice of left to right or right to left flow



R07



R46

Technical data

R07

Fluid:

Compressed air, neutral gases

NOTE: Contact Norgren for use with other media.

Maximum pressure:

300 psig (20 bar)

Operating temperature:

-34° to 150°F (-35° to 65°C) *

* Air supply must be dry enough to avoid ice formation at temperatures below 2°C (35°F).

R46

Fluid:

Compressed air

Maximum pressure:

250 psig (17 bar)

Operating temperature*:

-30° to 150°F (-34° to 65°C)

* Air supply must be dry enough to avoid ice formation at temperatures below 35°F (2°C).

Materials

R07

Body: zinc

Bonnet: acetal

Knob: Acetal

Valve seat: acetal

Elastomers: nitrile

R46

Body: zinc

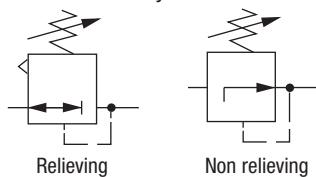
Knob: nylon

Valve: nitrile compound

Valve seat: acetal

Elastomers: nitrile

ISO Symbols



Ordering Information

Port Size	Model	Flow† scfm (dm3/s)	Weight lb (kg)
1/8"	R07 100 RGKA	14 (6.5)	0.31 (0.19)
1/4"	R07 200 RGKA	15 (7)	0.31 (0.19)
1/4"	R46 200 RGLA	13 (6)	0.2 (0.09)

* Air supply must be dry enough to avoid ice formation at temperatures below 35°F (2°C)

† Typical flow with 150 psig (10 bar) inlet pressure, 90 psig (6.3 bar) set pressure and 15 psig (1 bar) droop from set.

Alternative Models

R07 ★00 ★★ ★★ ★★ ★★	
Port Size	Substitute
1/8"	1
1/4"	2
Diaphragm	Substitute
Relieving	R
Non relieving	N
Gauges	Substitute
With	G
Without	N
Threads	Substitute
PTF	A
ISO G parallel	G
Outlet Pressure Adjustment Ranges*	Substitute
1 to 10 psig (0.1 to 0.7 bar)	A
5 to 50 psig (0.3 to 3.5 bar)	E
5 to 100 psig (0.3 to 7 bar)	K
5 to 125 psig (0.3 to 8.6 bar)	L

R46-★★★-R★★★	
Port Size	Substitute
1/4"	2
Flow Direction With Knob Up and Gauge Visible	Substitute
Left to Right	00
Right to Left	02
Gauges	Substitute
With	G
Without	N
Threads	Substitute
PTF	A
ISO G parallel	G
Outlet Pressure Adjustment Ranges*	Substitute
5 to 50 psig (0.3 to 3.5 bar)	E
5 to 125 psig (0.3 to 8.5 bar)	L
5 to 150 psig (0.3 to 10 bar)	M

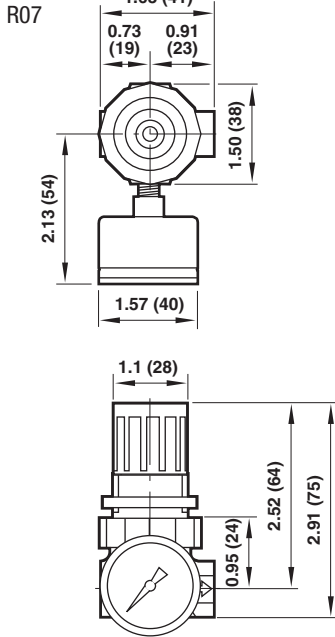
* Outlet pressure can be adjusted to pressures in excess of, and less than, those specified. Do not use these units to control pressures outside of the specified ranges.

Miniature General Purpose Regulators

R07, R46

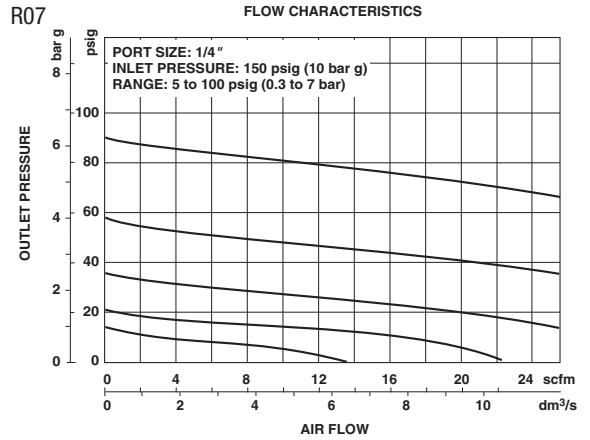
Dimensions in inches (mm).

Panel mounting hole diameter 1.19" (30 mm)
Maximum panel thickness 0.25" (6 mm)



All Dimensions in Inches (mm)

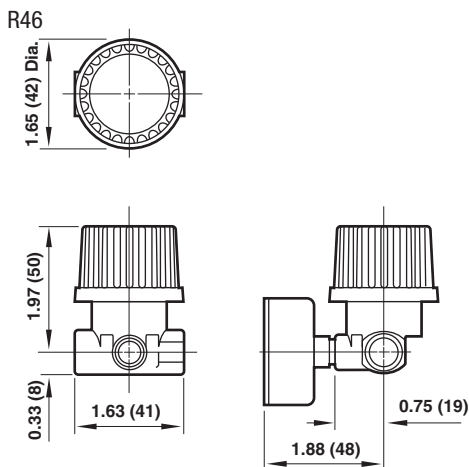
Typical Performance Characteristics



R07 Service Kits

Item	Type	Part number
Service kit	Relieving	3407-02
	Non relieving	3407-01

Service kit includes slip ring, diaphragm, standard valve seat with o-ring, valve, valve spring.



Typical Performance Characteristics

