

R30M Series Manifold Regulator

8 mm and 10 mm Port Sizes

Push-in fittings in ports. No need for threaded connectors and fittings
 Integral base mounting
 Water or compressed air only

Technical data

Fluid:

Compressed air or water, neutral gases

NOTE: Contact Norgren for use with other media.

Maximum pressure:

150 psig (10 bar)

Operating temperature*:

23° to 104°F (-5° to 40°C)

* Air supply must be dry enough to avoid ice formation at temperatures below 35°F (2°C).

Gauge port:

(can be used as additional outlet port) 10 mm OD tube with 10 mm OD tube main ports: 8 mm OD tube with 8 mm OD tube main ports

Two inlet ports: 10 mm OD tube or 8 mm o/d tube

One outlet port: 10 mm OD tube with 10 mm OD tube inlet

8 mm OD tube with 8 mm OD tube inlet

Materials:

Body: Acetal

Bonnet: Acetal

Valve: Brass/nitrile

Elastomers: Nitrile

Valve seat: Acetal



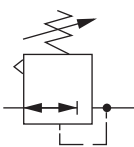
Ordering Information.

Models listed include 10 mm push-in fittings, knob adjustment, relieving diaphragm, 0 to 70 psig (0 to 4.8 bar) outlet pressure adjustment range* with gauge, with porting plug.

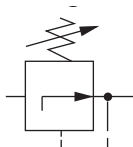
Port	Model	Flow† scfm (dm ³ /s)	Weight lb (kg)
8 mm	R30M 8DK RGG	17 (8)	0.22 (0.10)
10 mm	R30M ADK RGG	17 (8)	0.22 (0.10)

† Typical flow with 150 psig (10 bar) inlet pressure, 90 psig (6.3 bar) set pressure and a 15 psig (1 bar) droop from set.

ISO Symbols



Relieving

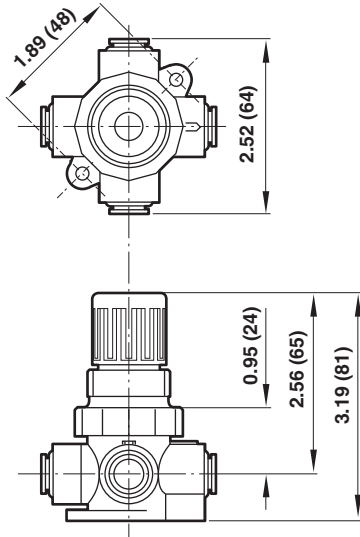


Non relieving

R30M Series Manifold Regulator

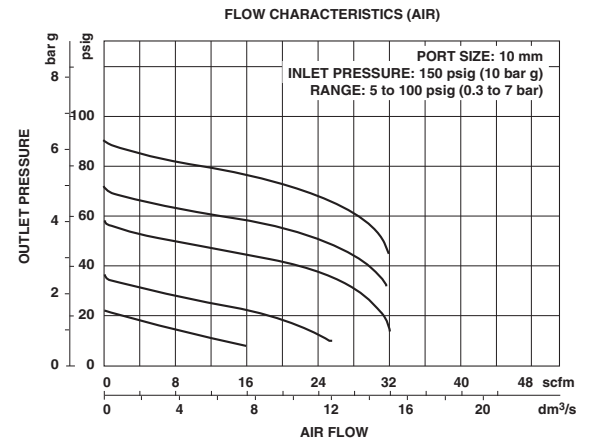
8 mm and 10 mm Port Sizes

Panel mounting hole diameter: 1.19" (30 mm)
Maximum panel thickness: 0.25" (6 mm)



Dimensions in inches (mm)

Typical Performance Characteristics



Typical Manifold Regulator Application

