

Stainless Steel Products

R38, and B38

Designed for use in corrosive environments

Metallic parts meet NACE Standard MR-01-75*

* National Association of Corrosion Engineers (NACE) MR-01-75 defines requirements for sulphide stress cracking resistant materials used in well-head and other corrosive environments.

Technical data

R38

Fluid:

Compressed air, neutral gases

NOTE: Contact Norgren for use with other media.

Maximum pressure:

450 psig (31 bar)

Operating temperature:

-40° to 175°F (-40° to 80°C) *

* Air supply must be dry enough to avoid ice formation at temperatures below 35°F (2°C).

B38

Fluid:

Compressed air

Maximum pressure:

Manual drain: 450 psig (31 bar)

Automatic drain: 250 psig (17 bar)

Operating temperature:

-40° to 175°F (-40° to 80°C) *

* Air supply must be dry enough to avoid ice formation at temperatures below 35°F (2°C).

Particle removal:

5 µm or filter element

Materials

R38

Body: Stainless steel

Bonnet: Stainless steel

Adjusting screw: Stainless steel

Elastomeric materials: Nitrile

B38 (standard option)

Body: Stainless steel

Bonnet: Stainless steel

Bowl: Stainless steel

Adjusting screw: Stainless steel

Elements

5 µm: High density polyethylene

1/4" only 5 µm: Ceramic pyrolith

Elastomeric materials: Nitrile



R38

B38

R38 Ordering Information

Models listed are relieving type with 0.6 to 30 psig (0.04 to 2 bar) outlet pressure adjustment range **, and PTF threads. A gauge is not included.

Port Size	Model Number	Flow† scfm (dm ³ /s)	Weight lbs (kg)
1/4" PTF	R38-240-RNCA	17 (8)	1.56 (0.71)

** Outlet pressure can be adjusted to pressures in excess of, and less than, those specified. Do not use these units to control pressures outside of the specified ranges.

† Typical flow with 100 psig (7 bar) inlet pressure, 15 psig (1 bar) set pressure and 1 psig (0.05 bar) droop from set.

B38 Ordering Information

Models listed are relieving type with manual drain, 5µm element, and PTF threads. A gauge is not included.

Port Size	Model Number	Outlet pressure range psig (bar)	Flow** scfm (dm ³ /s)	Weight kg (lbs)
1/4" PTF	B38-240-B1KA	4 to 100 (0.3 to 7)	15 (7)	3.11 (1.4)
1/2" PTF	B38-440-M1LA	4 to 125 (0.3 to 9)	106 (50)	4.75 (2.2)

** Typical flow with 175 psig (12 bar) inlet pressure, 115 psig (8 bar) set pressure and 15 psig (1 bar) droop from set.

Accessories

Neck mounting bracket



18-001-959

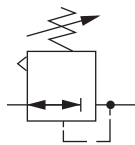
Gauge
0 ... 140 psig



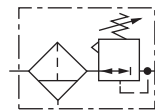
18-013-909

* Bracket kit does not include wall mounting screws.

ISO Symbols



R38



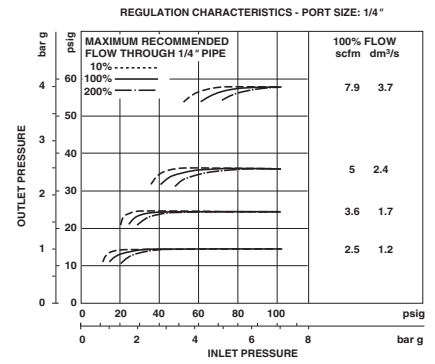
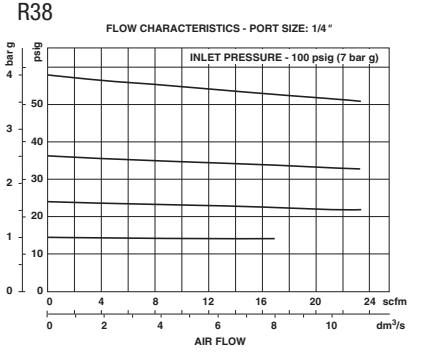
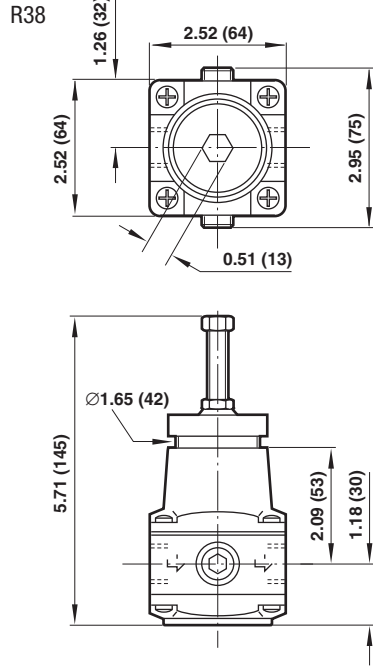
B38 Manual Drain, Relieving

Stainless Steel Products

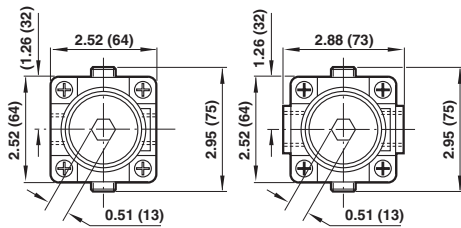
R38, and B38

Dimensions in inches (mm)

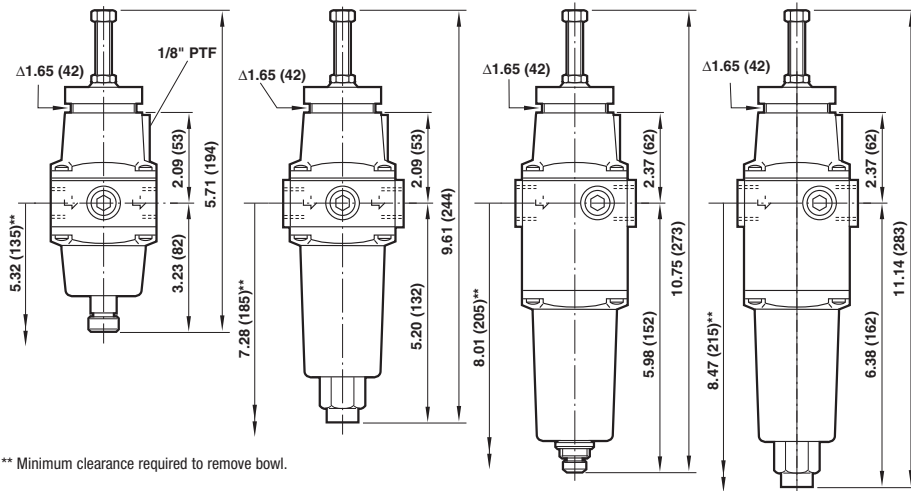
Panel mounting hole diameter: 1.65" (42 mm)
Maximum panel thickness: 0.24" (6 mm)



B38

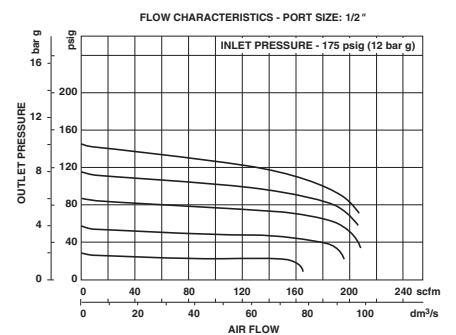
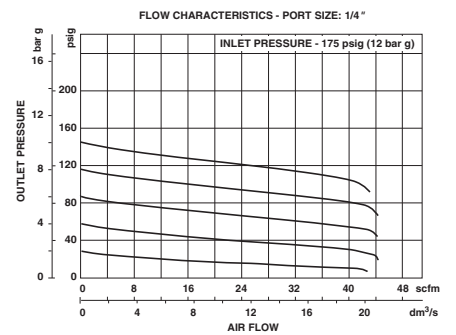


Panel mounting hole diameter: 1.65" (42 mm)
Maximum panel thickness: 0.24" (6 mm)



** Minimum clearance required to remove bowl.

B38



AIR LINE EQUIPMENT