

Excelon® modular system

R72G, R73G, R74G Pressure regulators

Excelon® design allows in-line or modular installation

Full flow gauge ports

Balanced valve design minimizes effect of variation in the inlet pressure on the outlet pressure

Standard relieving models allow reduction of downstream pressure when the system is dead-ended

Technical data

Fluid:

Compressed air, neutral gases

NOTE: Contact Norgren for use with other media.

Maximum pressure:

300 psig (20 bar)

Operating temperature*:

-30° to 175°F (-34° to 80°C)

*Air supply must be dry enough to avoid ice formation at temperatures below 35°F (2°C).

Materials

R72G

Body: zinc

Bonnet: acetal (Zinc on 250 psi model)

Elastomers: nitrile

Bottom plug: acetal

R73G, R74G

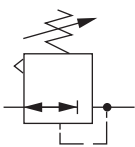
Body: aluminum

Bonnet: aluminum or zinc

Elastomers: nitrile

Bottom plug: acetal

ISO Symbols



R7*G Relieving



R72G

R73G

R74G

Ordering Information

Models listed include uni-directional flow, PTF threads, knob adjustment, relieving diaphragm, 5 to 150 psig (0.3 to 10 bar) outlet pressure adjustment range*, with gauge.

Port Size	Model	Flow† scfm (dm ³ /s)	Weight lb (kg)
1/4"	R72G 2AK RMG	70 (33)	0.79 (0.36)
1/4"	R73G 2AK RMG	91 (43)	1.36 (0.6)
3/8"	R73G 3AK RMG	144 (68)	1.36 (0.6)
3/8"	R74G 3AK RMG	208 (98)	1.80 (0.82)
1/2"	R74G 4AK RMG	220 (105)	1.77 (0.80)
3/4"	R74G 6AK RMG	220 (105)	1.73 (0.78)

† Typical flow with 150 psig (10 bar) inlet pressure, 90 psig (6.3 bar) set pressure and a 15 psig (1 bar) droop from set.

Options selector

Series	Substitute			Substitute
72	2	R7★G ★★ ★★ R★ ★	Gauge	
73	3		With	G
74	4		Without	N
			Outlet press adj range*	Substitute
			5 to 30 psig (72)	C
			5 to 60 psig	F
			5 to 150 psig	M
			10 to 250 psig**	S
			Adjustment	Substitute
			Knob	K
			T-bar	T
Port size	Substitute			
1/4" (72, 73)	2			
3/8" (72, 73, 74)	3			
1/2" (73, 74)	4			
3/4" (74)	6			
Threads	Substitute			
PTF	A			
ISO G parallel	G			

*Outlet pressure can be adjusted to pressures in excess of, and less than, those specified. Do not use these units to control pressures outside of the specified ranges.

**Units with 250 psig outlet pressure range are available only with the T-bar adjustment, substitute T at the 7th position and S at the 9th position.

Excelon® modular system

R72G, R73G, R74G Pressure regulators

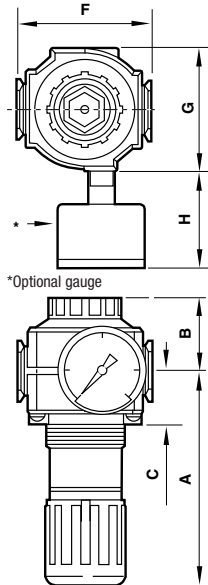
Dimensions in inches.

Accessories

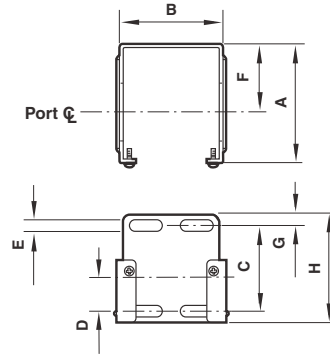
	Wall mounting bracket*	Neck mounting bracket	Gauge 0 ... 160 psig	Panel nut	Tamper resistant cover and seal wire	Pipe adapters (quantity of 1) (NPT)	Quikclamp®	Quikclamp® and wall bracket	Service kit
R72G	4224-50	74316-50	18-013-212	4248-89	4255-51	4215-02 (1/4) 4215-03 (3/8)	4214-51	4214-52	4381-500
R73G	4424-50	4461-50	18-013-209	5191-88	4455-51	4315-01 (1/4) 4315-02 (3/8) 4315-03 (1/2) 4315-04 (3/4)	4314-51	4314-52	4381-600
R74G	4324-50	4368-51	18-013-209	4348-89	4355-51	4315-02 (3/8) 4315-03 (1/2) 4315-04 (3/4)	4314-51	4314-52	4381-700

* Bracket kit does not include wall mounting screws.

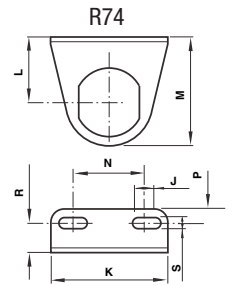
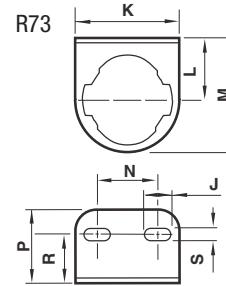
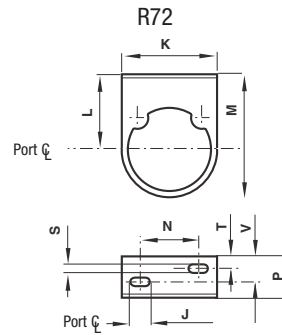
Neck mounting brackets



Mounting bracket



Series	A	B	C	D	E	F	G	H
72	2.36	1.65	1.54	0.73	0.16	1.50	0.24	2.01
73	2.64	2.36	1.89	0.75	0.28	1.50	0.24	2.40
74	3.11	2.72	1.97	0.79	0.20	2.01	0.24	2.40



	A	B	C	F	G	H	Panel Ø	Panel depth
72	2.87	1.30	1.02	1.97	1.89	1.38	1.57	0 to .16
73	3.78	1.54	1.22	2.68	2.44	2.20	1.89	.07 to .25
74	5.00	1.69	1.22	3.15	2.91	2.20	2.05	.07 to .25

Series	J	K	L	M	N	P	R	S	T	V
72	0.31	1.93	1.50	2.50	1.18	0.94	-	0.17	0.31	0.59
73	0.67	2.52	1.50	2.76	1.50	1.50	0.98	0.28	-	-
74	0.94	3.50	2.05	3.39	2.20	1.38	0.91	0.28	-	-

