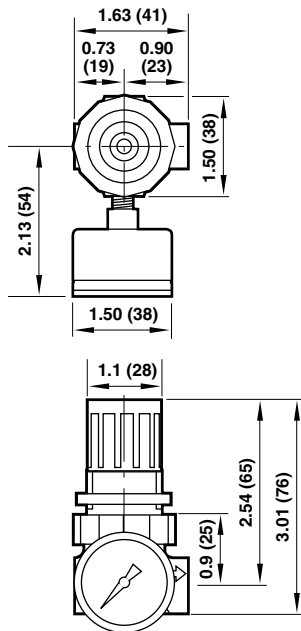


WATER REGULATORS

R91 1/4" PTF



* Panel mounting hole diameter.
** Maximum panel thickness.

R91W: Use with deionized water and potable water systems. Plastic (not assembly) is NSF approved. All elastomers are CFR 21 FDA food and water contact compliant. Non relieving models only.

TECHNICAL DATA

Fluid

Potable water, deionized water

Maximum pressure:

150 psig (10 bar)

Operating temperature

Water service: 35° to 125°F (2° to 52°C)

Gauge ports:

1/8 PTF with PTF main ports

Materials

Body and bonnet: Acetal

Valve

Stainless steel/food grade EPDM

Valve seat: Acetal

Valve seat o-ring

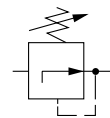
Food grade EPDM

Diaphragm

Acetal/nylon inserted nitrile, food grade

Gauge port plugs: Nylon

ISO Symbol



Models

Model No.	Port size PSIG (bar)	Outlet pressure adjustment range (dm ³ /s)	Flow Flow SCFM* (lpm)	Flow gpm
R91W 2AK-NLN	1/4"	5 to 125 (0.3 to 8.6)	24 (11)	1.75 (6.6)



Accessories

Wall mounting bracket	Mounting nut	Service kit†
5203-06	5191-88	3407-93



* Typical flow with 100 psig (7 bar) inlet pressure, 90 psig (6.3 bar) set pressure and 15 psig (1 bar) droop from set.
** Do not use the R41 feedback pilot regulator to control outlet pressures at or less than 100 psig (7 bar).
Use the 11-104 feedback pilot regulator at those pressures.

† Kit includes: Diaphragm, slip ring, valve seat with O-ring, valve and valve spring.

Service – Quality – Delivery

NorgrenExpress.com – 1.800.514.0129 – Help@NorgrenExpress.com



NORGREN
Express

ALE-55