

Excelon® Pro R92G

General Purpose Regulator

- Easy to order
- Configuration flexibility
- Excellent value
- No tools required for assembly
- Push-to-lock adjusting knob w/tamper resistant accessory

Technical data

Fluid: Compressed air, neutral gases

NOTE: Contact Norgren for use with other media.

Maximum pressure

175 psig (12 bar)

Operating temperature*

-4° to 140°F (-20° to 60°C)

* Air supply must be dry enough to avoid ice formation at temperatures below 35°F (2°C).

Materials

Body: PBT

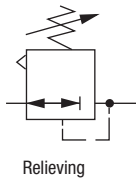
Elastomers:

Valve elastomer - Geolast

Diaphragm and all other elastomers - nitrile



ISO Symbol



Order Information

Model listed below includes relieving diaphragm, 145 psi outlet pressure adjustment range, and bar/psi gauge.

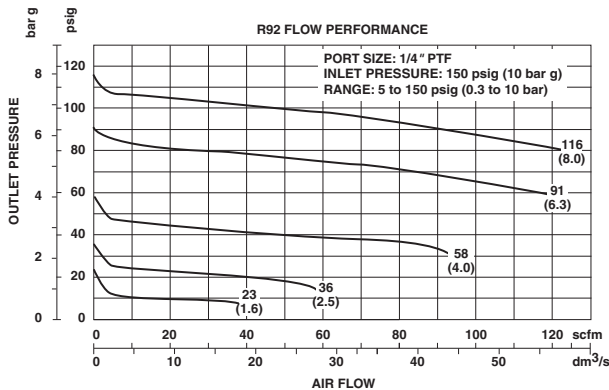
| Port size | Part Number | Flow* scfm (dm ³ /s) | Weight lb (kg) |
|-----------|-------------|------------------------------------|-------------------|
| 1/4" PTF | R92G2AKRMG | 46 (22) | 0.55 (0.25) |

* Maximum flow with 145 psig (10 bar) inlet pressure, 90 psig (6.3 bar) set pressure, and a 15 psig (1 bar) droop from set.

R92G★★KRM★

| Substitute | Description | Substitute | Description |
|------------|-----------------|------------|---------------------|
| NN | no connection | G | Gauge bar/psi scale |
| 1A | 1/8" PTF | A | Gauge bar/Mpa scale |
| 2A | 1/4" PTF | | |
| 3A | 3/8" PTF | | |
| 1B | 1/8" ISO Rc | | |
| 2B | 1/4" ISO Rc | | |
| 3B | 3/8" ISO Rc | | |
| 1G | 1/8" ISO G | | |
| 2G | 1/4" ISO G | | |
| 3G | 3/8" ISO G | | |
| 6D | 6mm PIF | | |
| 8D | 8mm (5/16") PIF | | |
| AD | 10mm PIF | | |
| BD | 12mm PIF | | |
| 4E | 1/4" PIF | | |
| 6E | 3/8" PIF | | |
| 8E | 1/2" PIF | | |
| 2R* | 1/4" PTF | | |
| 2T* | 1/4" ISO Rc | | |
| 2V* | 1/4" ISO G | | |

* Does not include mounting bracket



All Dimensions in Inches (mm)

Excelon® Pro Modular System

R92G, General Purpose Regulator

Accessories and Kits

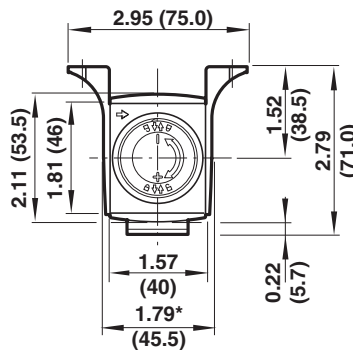
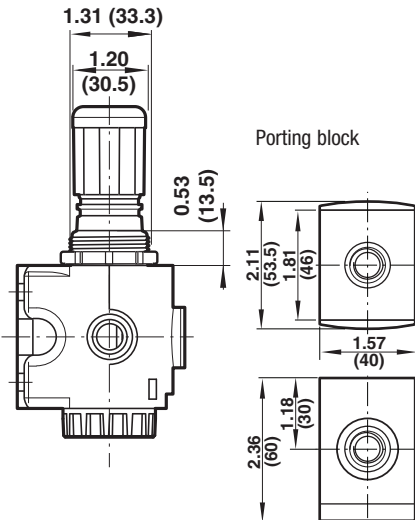
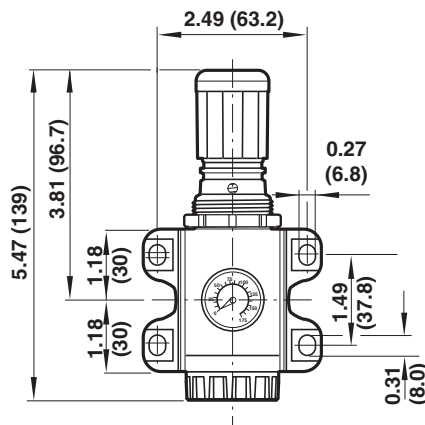
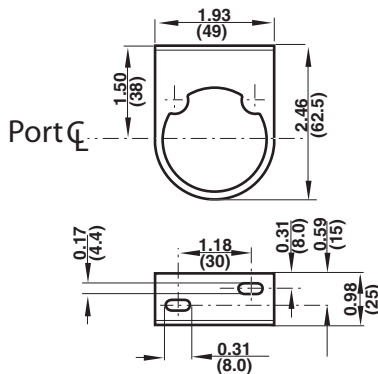
| Threaded connector w/mounting bracket* | | Push-In-Fitting connector w/mounting bracket* | | Threaded connector w/o mounting brackets | | Porting block | | Quikconnect (quantity of 1) | |
|--|------------|---|------------|--|------------|---|------------|---|---------|
| | | | | | | | | | |
| Connection | P/N | Connection | P/N | Connection | P/N | Connection | P/N | P/N | |
| 1/8" PTF | 9212KIT-1A | 6mm PIF | 9213KIT-6D | 1/4" PTF | 9211KIT-2R | 1/4" PTF | 9216-50 | | 9210-50 |
| 1/4" PTF | 9212KIT-2A | 8mm (5/16") PIF | 9213KIT-8D | 1/4" ISO Rc | 9211KIT-2T | 1/4" ISO G | 9216-51 | Tamper resistant cover and seal wire | |
| 3/8" PTF | 9212KIT-3A | 10mm PIF | 9213KIT-AD | 1/4" ISO G | 9211KIT-2V | 1/4" ISO Rc | 9216-52 | | |
| 1/8" ISO Rc | 9212KIT-1B | 12mm PIF | 9213KIT-BD | Wall mounting bracket | | Panel mount nut (quantity of 10) | | | |
| 1/4" ISO Rc | 9212KIT-2B | 1/4" PIF | 9213KIT-4E | | | | | | |
| 3/8" ISO Rc | 9212KIT-3B | 3/8" PIF | 9213KIT-6E | P/N | 74316-02 | P/N | 9248-50 | | |
| 1/8" ISO G | 9212KIT-1G | 1/2" PIF | 9213KIT-8E | | | | | | |
| 1/4" ISO G | 9212KIT-2G | | | | | | | | |
| 3/8" ISO G | 9212KIT-3G | | | | | | | | |

* Use 1/4" (6 mm) screws and appropriate washers when attaching brackets to a surface.

| Service kit | Locking plate kits** | |
|--|--|---|
| P/N R92G-KITR Includes: Diaphragm assembly, valve, valve O-ring, slip ring, bottom plug O-ring | P/N 9236-88/X10 (qty 10) (fits filter, lubricator, lockout valves, and back of all units) | P/N 9236-89/X10 (qty 10) (fits regulator, filter/regulator, porting block) |

** Locking plates **MUST** be in place before pressurizing any Excelon Pro unit.

74316-02 Wall mount dimensions



* Connector Dimensions

1/8" and 1/4" threaded connectors shown. See below for port-to-port dimensions for additional connectors.

| PIF Connector | Port-to-port |
|------------------------|--------------|
| 1/4", 6mm, 8mm (5/16") | 2.37" (60.2) |
| 3/8", 1/2", 10mm, 12mm | 2.48" (61.9) |
| Threaded connector | |
| 1/8", 1/4" | 1.79" (45.5) |
| 3/8" | 2.99" (76.1) |