

**EXCELON® PRO  
Regulator  
ø 6 to 12 mm, G 1/8 to G 3/8**

**Easy to order**  
**Configuration flexibility**  
**Excellent value**  
**No tools required for assembly**  
**RoHS compliant**

**Technical data**

Medium:  
Compressed air  
Operating pressure:  
12 bar max.  
Ambient temperature:  
-20°C\* to +60°C  
\* Consult our Technical Service for use below +2°C  
Outlet pressure adjustment range:  
0,3 to 10 bar  
Typical flow:  
25 dm<sup>3</sup>/s (1500 l/min) max.  
(port size G 1/4, inlet pressure 10 bar,  
outlet pressure 6,3 bar,  $\Delta p = 1$  bar)

**Materials:**

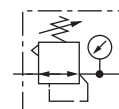
Body: PBT  
Bonnet: PBT  
Valve elastomer: Geolast  
Diaphragm: Nitrile  
Internal parts: Acetal  
Gauge: Brass body, plastic face  
Elastomers: Bowl O-ring - Neoprene  
All others - Nitrile

**Ordering information**

See page 2

**Alternative models**

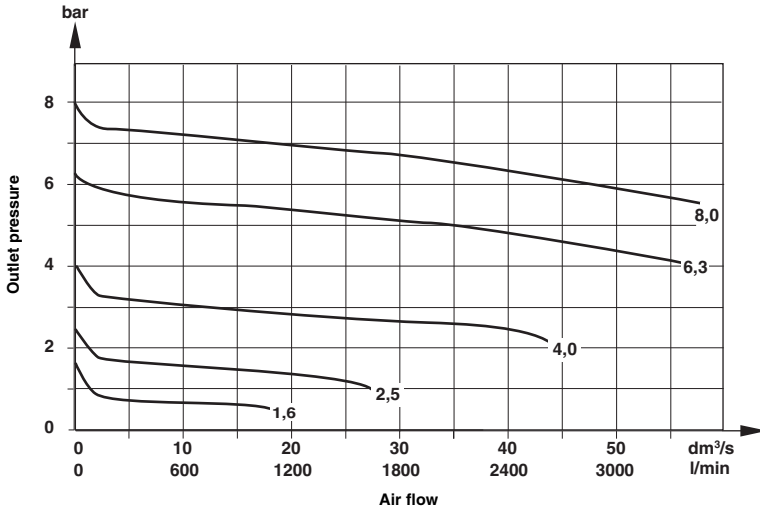
Products shown flow from left to right, for applications requiring right to left flow - please contact Norgren



Relieving

### Flow characteristics

Inlet pressure: 10 bar  
 Port size: G1/4



### Standard model

Port Size	Model	Flow dm³/s *	Weight kg
G 1/4	R92G-2GK-RMG	25 (1500 l/min)	0,25

\* Typical flow with 10 bar inlet pressure, 6,3 bar set pressure and a 1 bar drop from set.

### Ordering example

Regulator - G 1/4 with mounting bracket, knob adjustment, relieving diaphragm, 0,3 to 10 bar outlet pressure adjustment range with gauge.  
 Quote: R92G-2GK-RMG

### Options selector

### R92G-★★K-RMG

<b>Connector with mounting bracket</b>	<b>Substitute</b>	←
6 mm Push-In fitting	6D	
8 mm Push-In fitting	8D	
10 mm Push-In fitting	AD	
12 mm Push-In fitting	BD	
G 1/8	1G	
G 1/4	2G	
G 3/8	3G	
<b>Connector without mounting bracket</b>	<b>Substitute</b>	←
G 1/4	2V	
<b>Connector</b>	<b>Substitute</b>	←
Without	NN	

### Warning

These products are intended for use in industrial compressed air systems only. Do not use these products where pressures and temperatures can exceed those listed under 'Technical Data'.

Before using these products with fluids other than those specified, for non-industrial applications, life-support systems, or other applications not within published specifications, consult NORGREN.

Through misuse, age, or malfunction, components used in fluid power systems can fail in various modes.

The system designer is warned to consider the failure modes of all component parts used in fluid power systems and to provide adequate safeguards to prevent personal injury or damage to equipment in the event of such failure.

**System designers must provide a warning to end users in the system instructional manual if protection against a failure mode cannot be adequately provided.**

System designers and end users are cautioned to review specific warnings found in instruction sheets packed and shipped with these products.








**Component parts and accessories**

**Service kit**

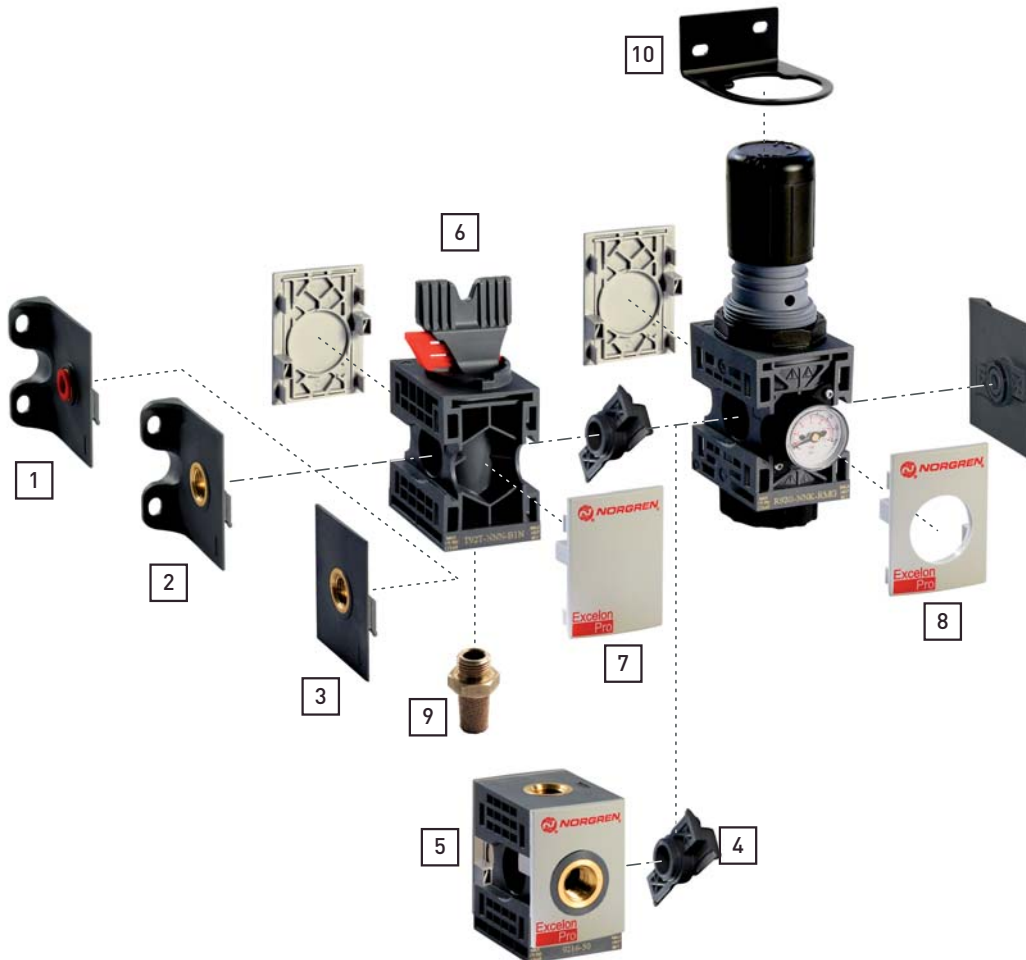


R92G-KITR

Port size	Push-in fitting connector with mounting bracket	Threaded connector with mounting bracket	Threaded connector without mounting bracket
G1/8	-	9212KIT-1G	-
G1/4	-	9212KIT-2G	9211KIT-2V
G3/8	-	9212KIT-3G	-
ø 6 mm	9213KIT-6D	-	-
ø 8 mm	9213KIT-8D	-	-
ø 10 mm	9213KIT-AD	-	-
ø 12 mm	9213KIT-BD	-	-

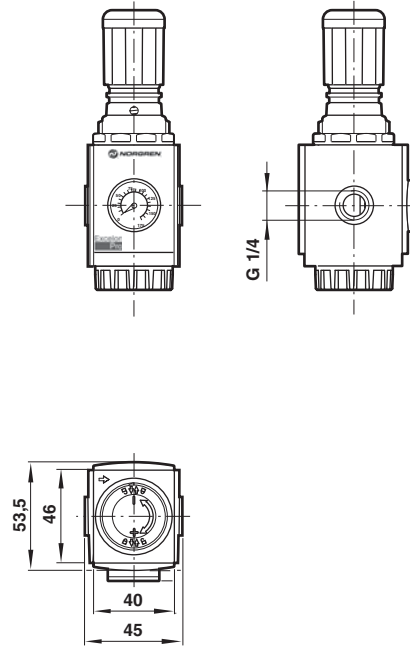
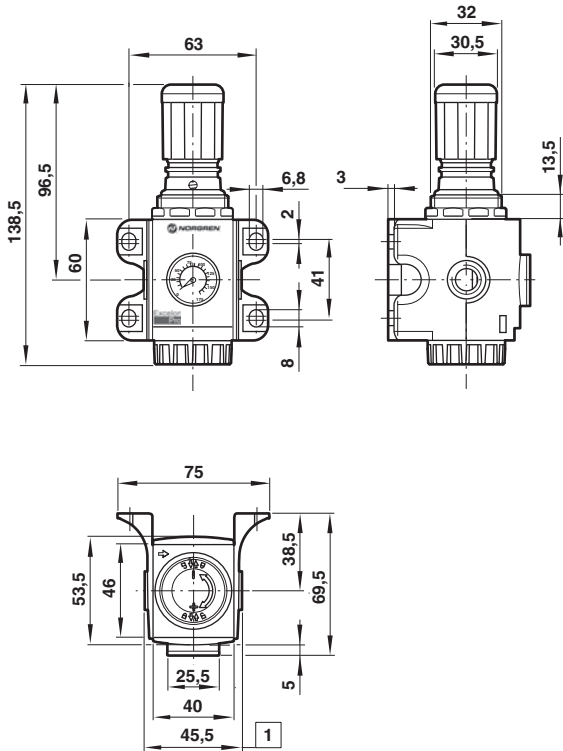
Wall mountig	Quick connector	Porting block Plugs not included	Lockout/shut-off valve with exhaust port	Locking plate	Locking plate	Silencer for shut-off valve
						
10	4	5	6	7	8	9
74316-02	9210-50	9216-51	T92T-NNN-B1N	9236-88/X10 (quantity 10)	9236-89/X10 (quantity 10)	T40M0500

**Warning**  
Locking plates **MUST** be in place before pressurizing any Excelon Pro unit.



**Regulator with wall mounting bracket**

**Regulator without mounting bracket**



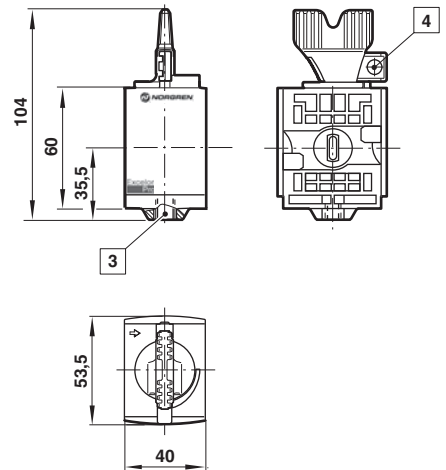
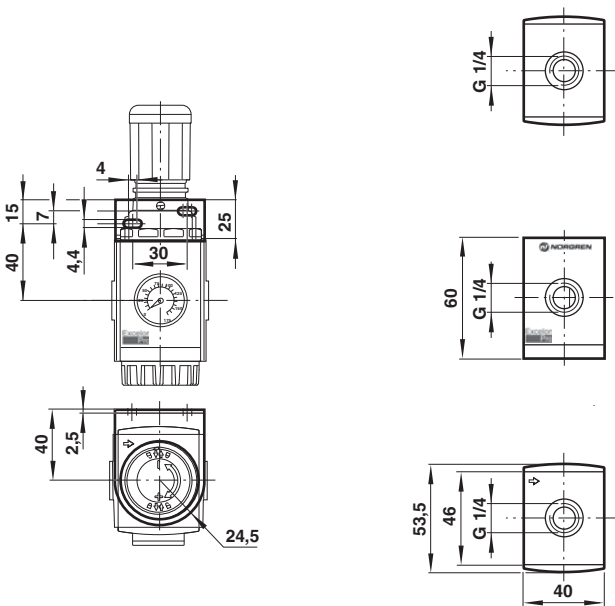
**1 Connector Dimensions**  
 1/8" and 1/4" threaded connectors shown. See below for port-to-port dimensions for additional connectors.

PIF Connector	Port-to-port
6 mm, 8 mm	60
10 mm, 12 mm	62
Threaded connector	
1/8", 1/4"	45,5
3/8"	76

**Wall mounting**

**Porting block**

**Lockable/shut off valve**



- 3** M5 exhaust port
- 4** Lever lockable only in closed position. Lock slide accepts  $\varnothing$  7 mm padlock/shackle.