

# EXCELON® PRO SERIES Regulator

R92G - 1/4" PTF and 1/4" PIF

- Configuration flexibility
- Excellent value
- No tools required for assembly

## TECHNICAL DATA

Fluid: Compressed air

Maximum pressure

175 psig (12 bar)

Operating temperature\*

-4° to 140°F (-20° to 60°C)

\* Air supply must be dry enough to avoid ice formation at temperatures below 35°F (2°C).

Materials

Body: PBT

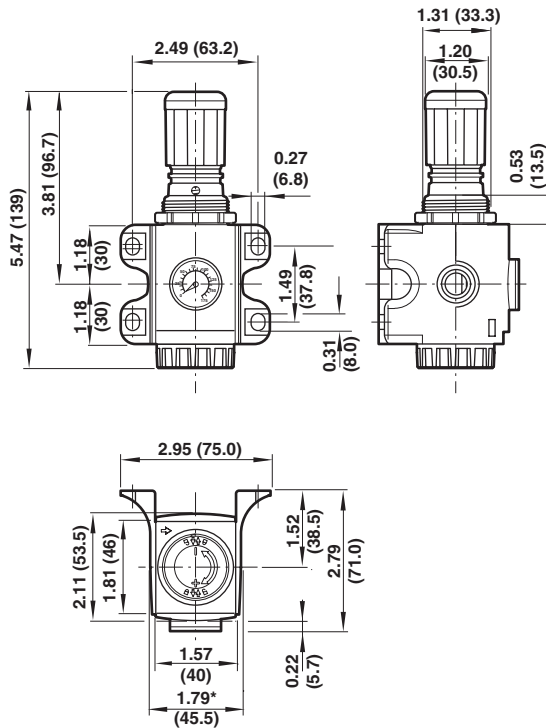
Elastomers:

Valve elastomer - Geolast

Diaphragm and all other elastomers - nitrile



### ISO Symbol



### Models

Model No.	Port size	Flow* SCFM (dm <sup>3</sup> /s)	Tamper resistant cover and seal wire	Porting block	Lockout valve	Quikconnect	Service kit**
R92G-2AK-RMG	1/4" PTF	46 [22]	9255-51	9216-50	T92E-NNN-B1N	9210-50	R92G-KITR
R92G-4EK-RMG	1/4" PIF	46 [22]	9255-51	9216-50	T92E-NNN-B1N	9210-50	R92G-KITR

### Accessories



\* Maximum flow with 145 psig (10 bar) inlet pressure, 90 psig (6.3 bar) set pressure, and a 15 psig (1 bar) droop from set.

\*\* Kit includes: Diaphragm assembly, valve, valve O-ring, slip ring, bottom plug O-ring

