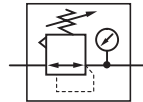


Configuration flexibility

Excellent value

Low weight

No tools required for assembly



Technical features

Medium:

Compressed air

Operating pressure:

12 bar max.

Fluid/Ambient temperature:

-20°C ... +60°C

Air supply must be dry enough to avoid ice formation at temperatures below +2°C.

Materials

Body: PBT

Bonnet: PBT

Valve elastomer: Geolast

Diaphragm: Nitrile

Internal parts: Acetal

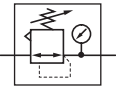
Gauge: Brass body, plastic face

Elastomers:

Bowl O-ring - Neoprene

All others - Nitrile

Technical data, standard model - relieving

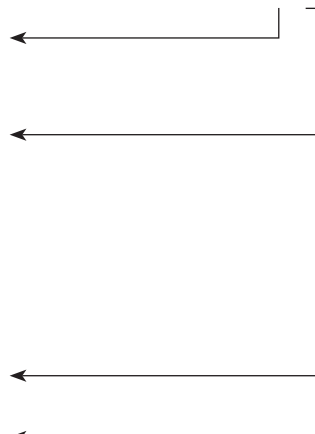
Symbol	Port size	Connector	Pressure range (bar)	Flow (dm ³ /s) *	Gauge	Weight (kg)	Model
	G 1/4	With mounting bracket	0,3 ... 10	25 (1500 l/min)	Included	0,28	R92G-2GK-RMG

* Typical flow with 10 bar inlet pressure, 6,3 bar set pressure and a 1 bar drop from set.

Options selector

Flow direction	Substitute
From left to right (standard)	G
From right to left	B
Connector with mounting bracket	Substitute
6 mm Push-in fitting	6D
8 mm Push-in fitting	8D
10 mm Push-in fitting	AD
12 mm Push-in fitting	BD
G 1/8	1G
G 1/4	2G
G 3/8	3G
Connector without mounting bracket	Substitute
G 1/4	2V
Connector	Substitute
Without	NN

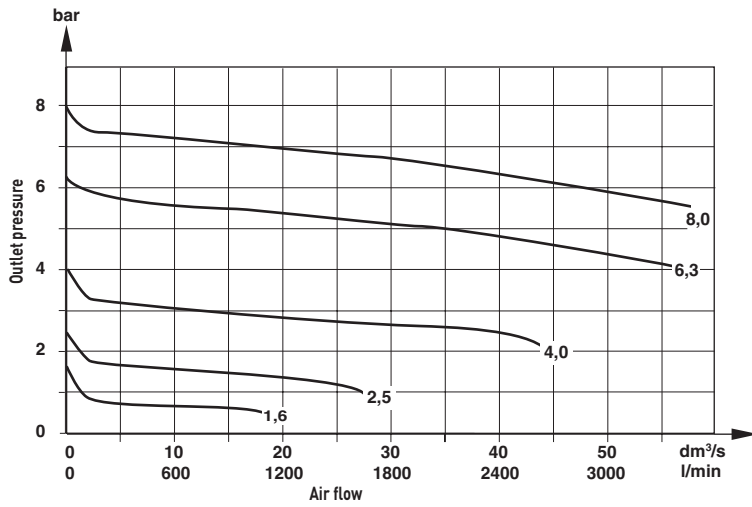
R92★-★★K-RMG



Flow characteristics

Inlet pressure: 10 bar

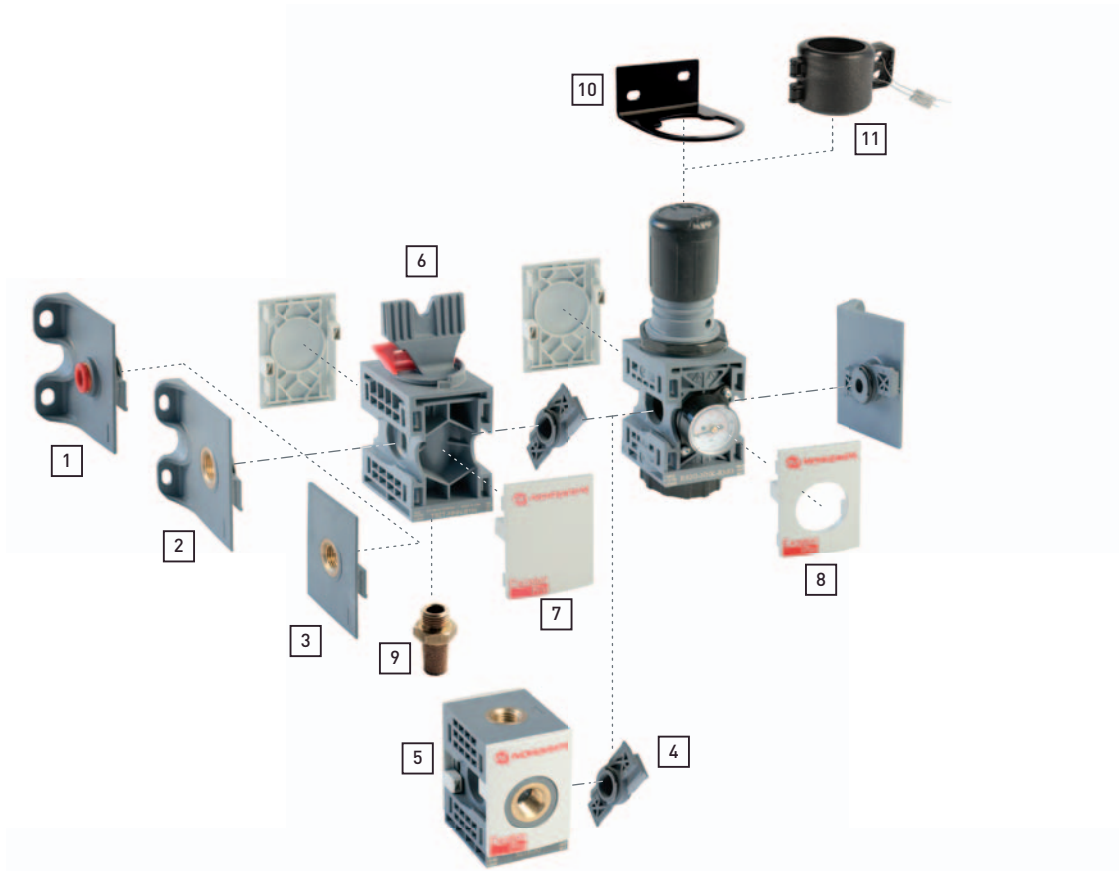
Port size: G1/4



Service kit



*2) Part number = five gauges, O-ring and screwdriver

Component parts and accessories


	Push-in fitting connector with mounting bracket	Threaded connector with mounting bracket	Threaded connector without mounting bracket
Port size	1	2	3
G1/8	-	9212KIT-1G	-
G1/4	-	9212KIT-2G	9211KIT-2V
G3/8	-	9212KIT-3G	-
ø 6 mm	9213KIT-6D	-	-
ø 8 mm	9213KIT-8D	-	-
ø 10 mm	9213KIT-AD	-	-
ø 12 mm	9213KIT-BD	-	-

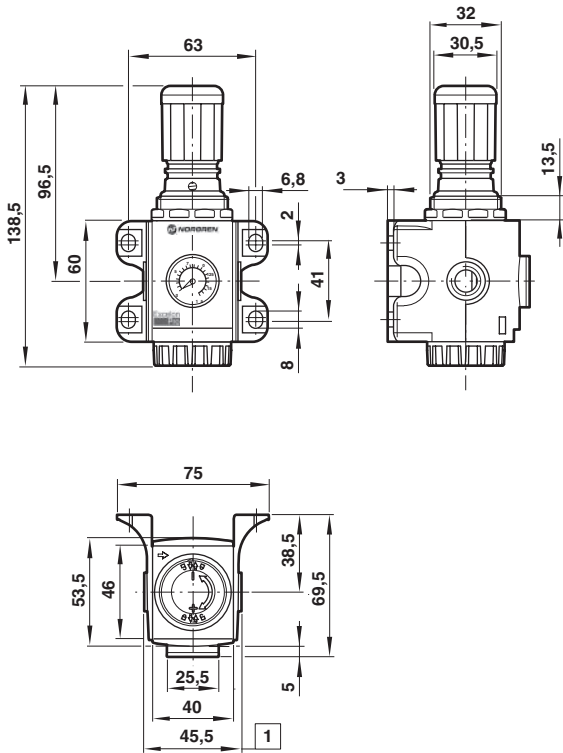
Wall mounting	Quick connector	Porting block Plugs not included	Lockout/shut-off valve with exhaust port	Locking plate	Locking plate for gauge side only	Silencer for shut-off valve	Tamper resistant cover and seal wire
10	4	5	6	7	8	9	11
74316-02	9210-50	9216-51	T92T-NNN-B1N	9236-88/X10 *1)	9236-89/X10 *1)	T40M0500	9255-51

*1) 10 pieces

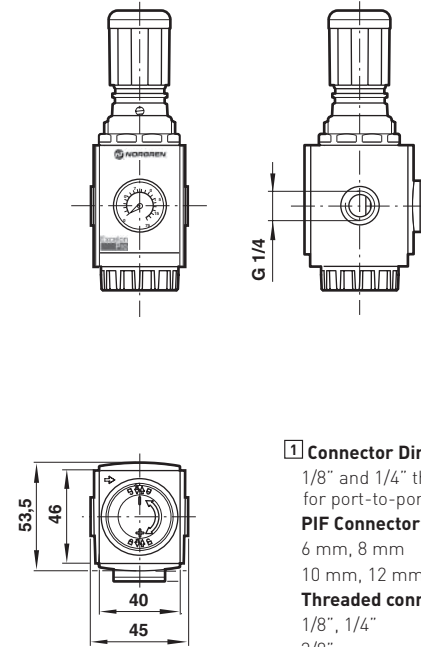
Warning

Locking plates **MUST** be in place before pressurizing any Excelon Pro unit.

Regulator with wall mounting bracket



Regulator without mounting bracket

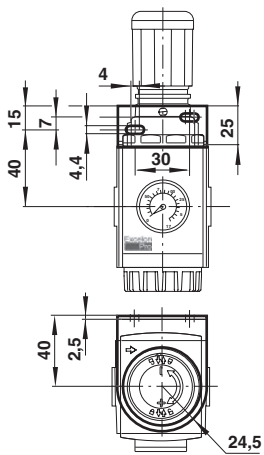


1 Connector Dimensions

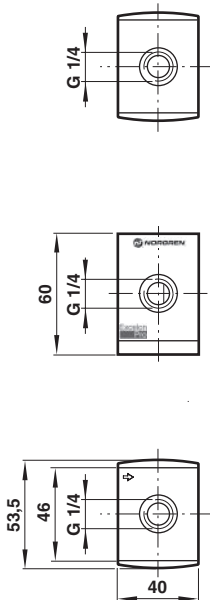
1/8" and 1/4" threaded connectors shown. See below for port-to-port dimensions for additional connectors.

PIF Connector	Port-to-port
6 mm, 8 mm	60
10 mm, 12 mm	62
Threaded connector	
1/8", 1/4"	45,5
3/8"	76

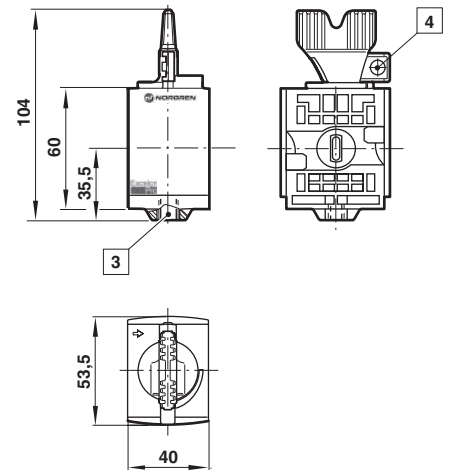
Wall mounting



Porting block



Lockable/shut off valve



3 M5 exhaust port

4 Lever lockable only in closed position.

Lock slide accepts \varnothing 7 mm padlock/shackle.

Warning

These products are intended for use in industrial compressed air systems only. Do not use these products where pressures and temperatures can exceed those listed under »**Technical features**«.

Before using these products with fluids other than those specified, for non-industrial applications, life-support systems, or other applications not within published specifications, consult NORGREN.

Through misuse, age, or malfunction, components used in fluid power systems can fail in various modes.

The system designer is warned to consider the failure modes of all component parts used in pneumatic systems and to provide adequate safeguards to prevent personal injury or damage to equipment in the event of such failure.

System designers must provide a warning to end users in the system instructional manual if protection against a failure mode cannot be adequately provided.

System designers and end users are cautioned to review specific warnings found in instruction sheets packed and shipped with these products.