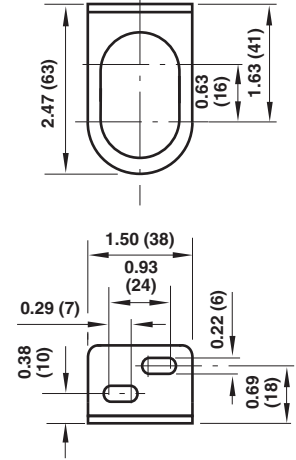


Regulator Accessories

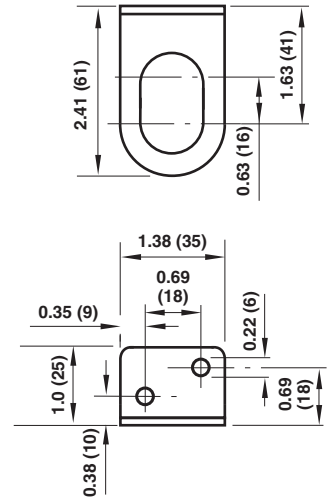
Product	Accessory	Part No.
R05	Plastic panel nut	2962-89
R06	Wall bracket for R06 with plastic bonnet	Bracket and plastic nut: 18-025-003 Plastic nut: 2962-89 Metal nut: 2962-04
	Wall bracket for R06 with brass bonnet	Bracket and metal nut: 18-001-021 Metal nut: 616-01
	Tamper resistant knob kit	18-001-092
R07	Wall bracket with plastic nut	Bracket and plastic nut: 18-025-003 Plastic nut: 2962-89 Metal nut: 2962-04
	Tamper resistant knob kit	18-001-092
R17	Wall bracket with plastic nut	Bracket and metal nut: 5570-04 Metal nut: 5226-97
	Tamper resistant seal wire	2117-01
R18	Muffler	3/4 PTF: MB006A R 3/4: MB006B

All Dimensions in Inches (mm)

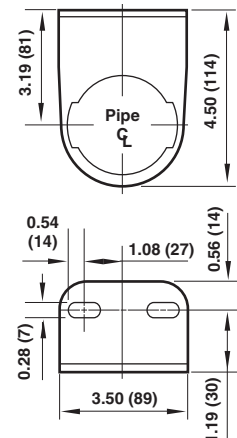
R06, R07 Bracket (18-025-003)



R06 Bracket for Brass Bonnet (18-001-021)



R17 Bracket (5570-04)

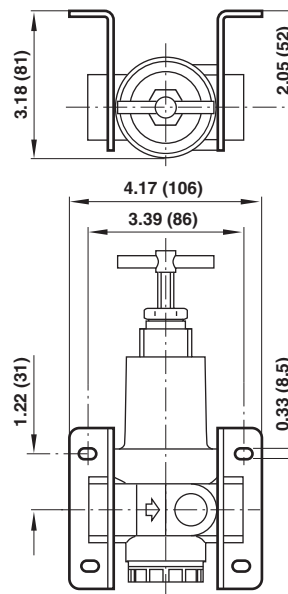


Regulator Accessories

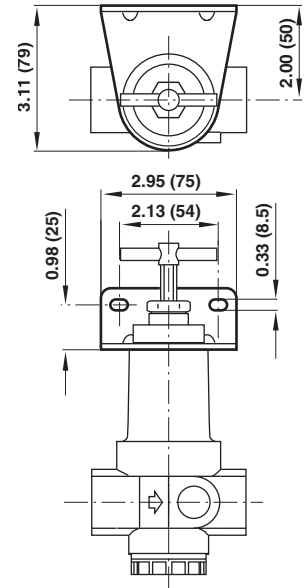
Product	Accessory	Part No.
R22	Stainless steel wall bracket	18-001-962
	Wall bracket (neck mount)	Stainless steel wall bracket and metal nut: 18-001-959 Metal nut: 5988-02
R24	Wall bracket with metal nut	Bracket and metal nut: 18-999-412 Bracket: 18-001-996 Plastic nut: 2962-89 Metal nut: 2962-04
	Reducing bushing for gauge ports	3/8 to 1/4 PTF: 5950-01 1/2 to 1/4 PTF: 2339-04 R1/4 to G1/8: 150232818 R3/8 to G1/8: 150233818 R1/2 to G1/8: 150234818
	Tamper resistant cap	18-021-006
R30M	Plastic panel nut	2962-89
	Metal panel nut	2962-04
	Tamper resistant knob kit	18-001-092
	Push-in connector	8 mm: 11-002-0800 10 mm: 11-002-1000
	Push-in plug	8 mm: 11-004-0800 10 mm: 11-004-1000
	Push-in gauge adapter	8 mm: 74679-02 10 mm: 74679-03

All Dimensions in Inches (mm)

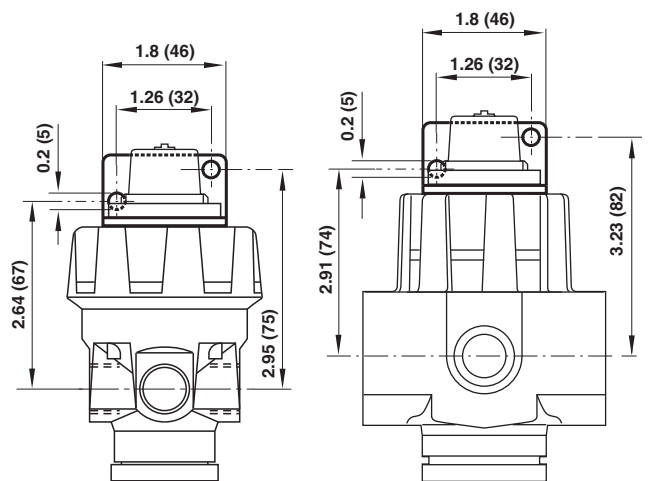
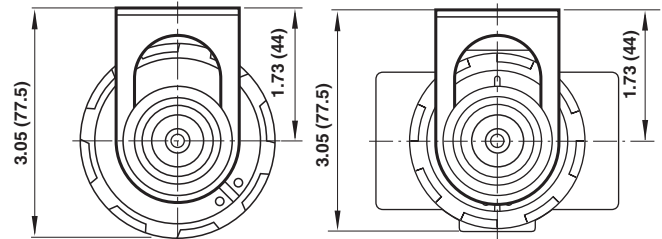
R22 Bracket (18-001-962)



R22 Neck Bracket (18-001-959)






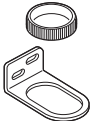

R24 Bracket (18-999-412)



1/4", 3/8", 1/2" Ports

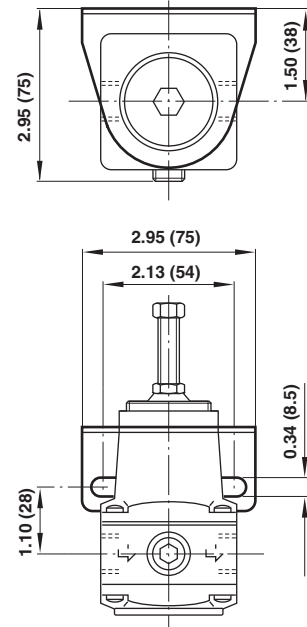
3/4", 1", 1-1/4" Ports

Regulator Accessories

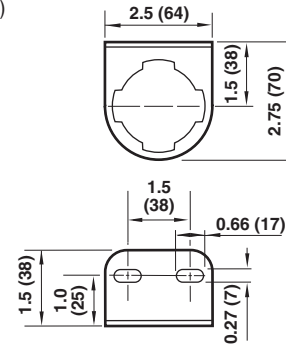
Product	Accessory	Part No.	
R38	Aluminum wall bracket and nut: 18-001-974 Aluminum nut: 5988-01		
	Stainless steel wall bracket and nut: 18-001-973 Stainless steel nut: 5988-02		
	Plastic adjusting knob		655-97
	Tamper resistant cap	18-004-987	
R40 R41 R43	Wall bracket with metal nut	Bracket and metal nut: 5203-06 Plastic nut: 5191-89 Metal nut: 5191-88	
	Tamper resistant seal wire	2117-01	
R44	Wall bracket for R44 with plastic bonnet	Bracket and plastic nut: 18-025-003 Plastic nut: 2962-89 Metal nut: 2962-04	
	Wall bracket for R44 with brass bonnet	Bracket and metal nut: 18-001-021 Metal nut: 616-01	
	Tamper resistant knob	18-001-092	

All Dimensions in Inches (mm)

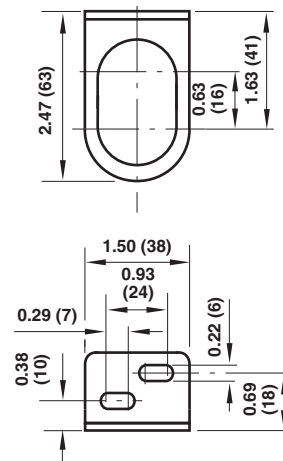
R38 Bracket (18-001-974)



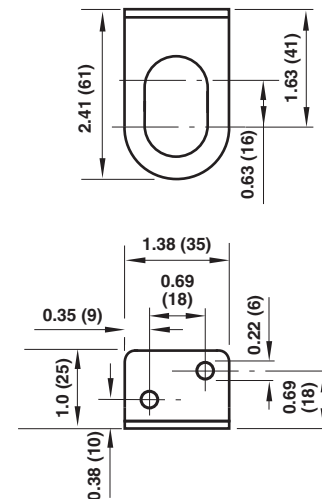
R40, R41, R43 Bracket (5203-06)



R44 Bracket (18-025-003)



R44 Bracket for Brass Bonnet (18-001-021)

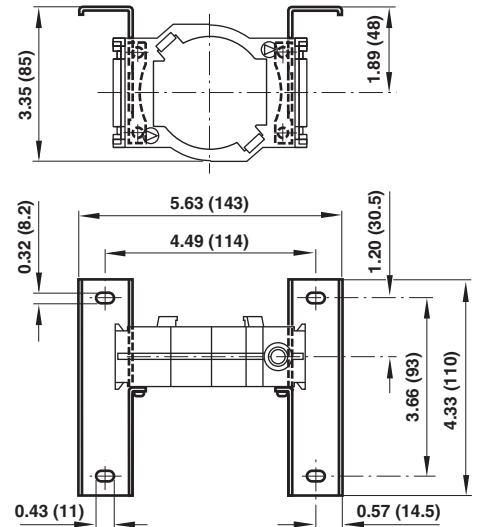


Regulator Accessories

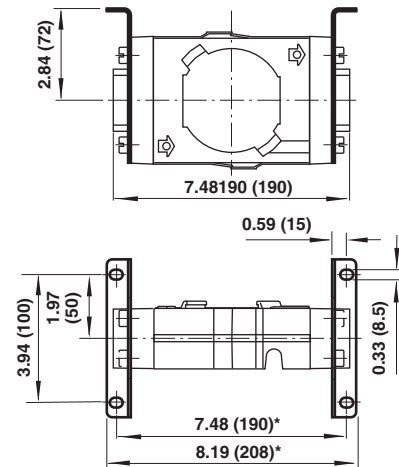
All Dimensions in Inches (mm)

Product	Accessory	Part No.
R64	Wall bracket	74504-50
	Metal panel nut	4348-89
	Tamper resistant cover and wire. Install over knob to help prevent tampering of pressure setting. Use up to 4 padlocks with 5/16" (8mm) diameter shackle to secure cover. Lockout hasp may also be used.	Cover and wire: 4355-51 Wire: 2117-01
	Lockout hasp. Allows use of up to 6 padlocks with 5/16" (8mm) diameter shackle.	54547-01
R68	Wall bracket	1/2", 3/4", 1", 1-1/4" Ports: 18-001-978 1-1/2" Ports: Not Available
	Tamper resistant cover and wire. Install over knob to help prevent tampering of pressure setting. Use up to 4 padlocks with 5/16" (8mm) diameter shackle to secure cover. Lockout hasp may also be used.	Cover and wire: 4355-51 Wire: 2117-01
	Lockout hasp. Allows use of up to 6 padlocks with 5/16" (8mm) diameter shackle.	54547-01
R72	Wall bracket	4224-50
	Wall bracket/plastic nut	Bracket and plastic nut: 74316-50 Plastic nut: 4248-89 Metal Nut: 4248-01
	Tamper resistant cover and wire. Install over knob to help prevent tampering of pressure setting. Use up to 2 padlocks with 5/16" (8mm) diameter shackle to secure cover. Lockout hasp may also be used.	Cover and wire: 4255-51 Wire: 2117-01
	Lockout hasp. Allows use of up to 6 padlocks with 5/16" (8mm) diameter shackle.	54547-01

R64 Bracket (74504-50)

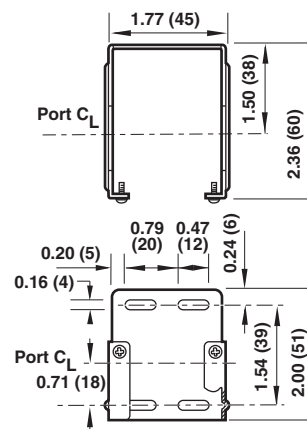


R68 Bracket (18-001-978)

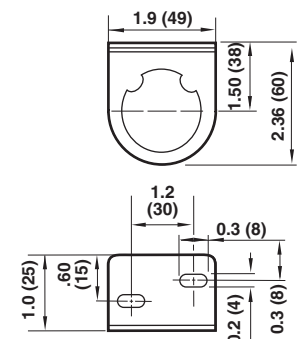


* Add 0.39" (10) for 1-1/4" ported yokes.

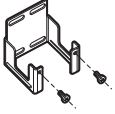


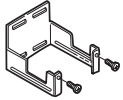
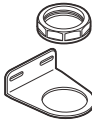

R72 Bracket (4224-50)



R72 Neck Bracket (74316-02)

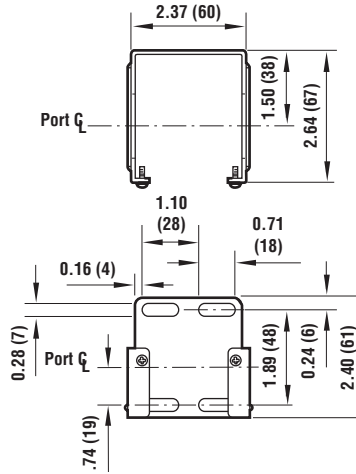


Regulator Accessories

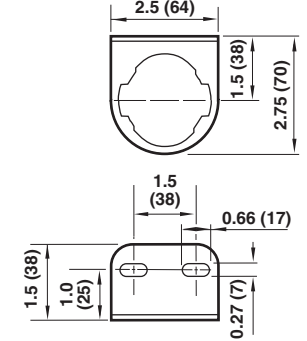
Product	Accessory	Part No.
R73	Wall bracket	4424-50
	 <p>Wall bracket/metal nut</p> <p>Bracket and metal nut: 4461-50 Metal Nut: 5191-88 Plastic Nut: 5191-89</p>	
	 <p>Tamper resistant cover and wire. Install over knob to help prevent tampering of pressure setting. Use up to 4 padlocks with 5/16" (8mm) diameter shackle to secure cover. Lockout hasp may also be used.</p> <p>Cover and wire: 4455-51 Wire: 2117-01</p>	
	 <p>Lockout hasp. Allows use of up to 6 padlocks with 5/16" (8mm) diameter shackle.</p> <p>54547-01</p>	
R74	Wall bracket	4324-50
	 <p>Wall bracket/metal nut</p> <p>Bracket and metal nut: 4368-51 Metal Nut: 4348-89</p>	
	 <p>Tamper resistant cover and wire. Install over knob to help prevent tampering of pressure setting. Use up to 4 padlocks with 5/16" (8mm) diameter shackle to secure cover. Lockout hasp may also be used.</p> <p>Cover and wire: 4355-51 Wire: 2117-01</p>	
	 <p>Lockout hasp. Allows use of up to 6 padlocks with 5/16" (8mm) diameter shackle.</p> <p>54547-01</p>	

All Dimensions in Inches (mm)

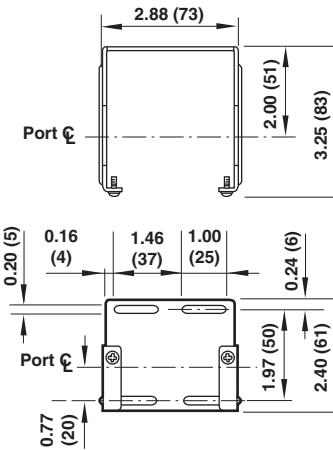
R73 Bracket (4424-50)



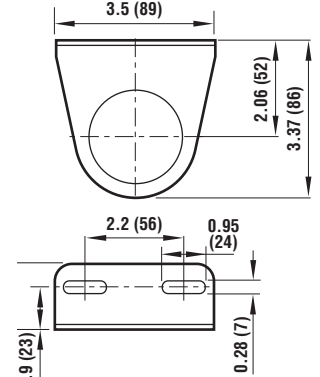
R73 Neck Bracket (4461-50)



R74 Bracket (4324-50)



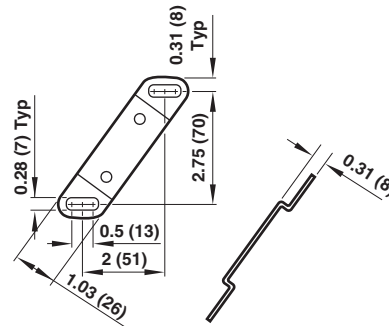
R74 Neck Bracket (4368-51)

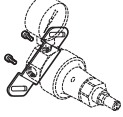












Regulator Accessories

All Dimensions in Inches (mm)

R81, R82, R83, R84 Bracket (5095-51)



Product	Accessory	Part No.
R81 R82 R83 R84	Wall bracket 	5095-51
	Pipe plug, hex socket 	1/4 PTF: 2891-97
	Nipple 	1/4 PTF male: 18-006-067
	Union adapter with cap 	1/4 PTF to 1/4 tube (45° flare): 18-006-068 Adapter only: 18-006-027 Cap only: 3302-50
	Cylinder connector, nitrogen service, 0.906-14 RH external thread 	CGA No. 580: 18-008-004
	Cylinder connector, carbon dioxide service, 0.830-14 RH internal thread 	CGA No 320: 18-008-002 With 2.25" (57mm) long nipple: 18-008-015 Replacement gasket: 1390-02
	Check valves * 	1/4 PTF male to 1/4 tube (45° flare): 16-009-001 1/4 PTF male to 1/2-16 BSF: 16-009-002 1/4 PTF male to 1/4 PTF female: 16-009-003
	Check and relief valve ** 	Relief cracking pressure: 130±4 psig (9 ±0.28 bar) 1/4 PTF male to 1/4 tube (45° flare): 16-006-107
	Manifolds with integral check valve * 	2 or 3 outlets, 1/4 PTF male to 1/4 tube (45° flare): 3228-54 2 or 3 outlets, 1/4 PTF male to 1/2-16 BSF: 3228-55 4 or 5 outlets, 1/4 PTF male to 1/4 tube (45° flare): 3228-60 4 or 5 outlets, 1/4 PTF male to 1/2-16 BSF: 3228-61
	Manifold extension 	1/4 PTF male to 1/4 PTF female: 2340-50
	Streamline wye † 	1/4 PTF male to 1/4 PTF female: 18-006-016

* The listed check valves and manifolds with integral check valves are designed for use with Norgren beverage regulators (R81, R82, R84) to help prevent the back flow of liquids into the regulator.

** The 16-006-107 check and relief valve meets the pressure and flow requirements of paragraphs 4.5 and 4.6 of NSDA Pamphlet TD02, Installation and Operational Procedures for Pressurized Soft Drink Dispensing Systems, dated July, 1980.

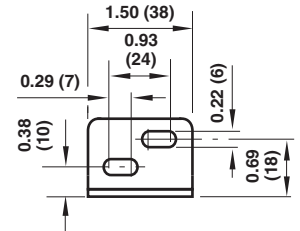
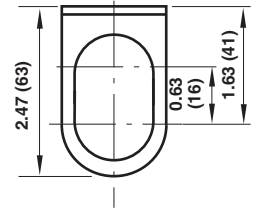
† Check valves, or manifolds with integral check valves, must be installed in the outlet ports of the wye when the wye is installed in the outlet port of Norgren beverage regulators.

Regulator Accessories

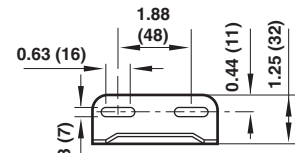
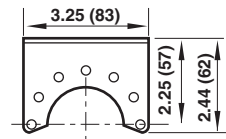
Product	Accessory	Part No.
R91	Wall bracket with plastic nut	Bracket and plastic nut: 18-025-003 Plastic nut: 2962-89 Metal nut: 2962-04
	Tamper resistant knob	18-001-092
11-002	Wall bracket	18-001-003
	Panel mount kit with T-bar adjustment Bonnet included	18-003-004
	Panel mount kit with hand wheel adjustment Bonnet included	18-003-002
	Panel mount kit with screw adjustment Bonnet included	18-003-006
11-008	Wall bracket	Units with 1/2" ports: 18-001-003 Units with 3/4" and 1" ports: 18-001-027

All Dimensions in Inches (mm)

R91 Bracket (18-025-003)



11-002 Bracket 11-008 Bracket (Units with 1/2" Ports) (18-001-003)



11-008 Bracket (Units with 3/4" and 1" Ports) (18-001-027)

