

Spring Loaded Regulator

J55 is a balanced valve, piston or diaphragm sensed spring-loaded pressure regulator used for quick control of outlet pressure. Heavy duty construction, accurate and reliable, ideal for high and low pressure applications.

For an operational overview, please refer to pages 18 and 19.



Standard Features

Valve Size:

- 1/4" BALANCED

Materials of construction:

- BODY - STAINLESS STEEL - BS EN 10088 1.4401
- SPRING HOUSING - STAINLESS STEEL - BS EN 10088 1.4401
- SEAT - NYLON 66
- TRIM - STAINLESS STEEL - BS EN 10088 1.4401
- DIAPHRAGM AND 'O' RINGS - HIGH NITRILE
- HANDWHEEL - NYLON OR ALUMINIUM

Connections:

- LINE 1/2" BSPP (INLET & OUTLET)

Maximum Inlet Pressure:

- 420 BAR (6092 PSI)

Outlet Pressure Range:

- 0.1 - 103 BAR (1.5 - 1494 PSI)

Pressure Release for down stream venting:

- INTERNAL VENTING (NOT CAPTURED)

Media:

- LIQUID AND GASES

Weight:

- 3 Kg (6.5 lb)

Additional Features

- NON VENTING
- PANEL MOUNTING BRACKET
- FILTER - 25 MICRON (NOT HYDRAULIC VERSION)

Options

Materials of construction:

- ELASTOMERS - FLUOROCARBON OR EPDM

Applications

- Marine industries
- Gas & Oil industries
- Off shore / aggressive environments
- CO₂ Blanketing
- Air Compressors
- Gas Analyser / Instrumentation
- Gas distribution
- Pressure Test rigs
- Fire control
- Piloting for dome regulators

Ordering Information

TYPE	OUTLET PRESSURE	ELASTOMER	OPTIONS	RELEASE OPTION
J55	M (0.1-5 BAR) R (0.1-20 BAR) W (5.2-52 BAR) Y (10.3-103BAR)	N (NITRILE) V (FLUOROCARBON) E (EPDM)	F (FILTER) P (PANEL MOUNT) FP (FILTER & PANEL MOUNT) H (HYDRAULIC) HP (HYD & PANEL MTG)	R (RELEASE) N (NO RELEASE)

ORDERING INFORMATION EXAMPLE:

J55WNFR

Notes

Technical Specifications

Pressure

	PRESSURE
TEST (PROOF) PRESSURE	630 BAR (9137 PSI)
MAXIMUM INLET PRESSURE	420 BAR (6092 PSI)

Outlet Pressure Ranges

PRESSURE	SENSING
0.1 - 5 BAR (1.5 - 72.5 PSI)	DIAPHRAGM
0.1 - 20 BAR (1.5 - 300 PSI)	DIAPHRAGM
5.2 - 52 BAR (510 - 754 PSI)	PISTON
10.3 - 103 BAR (150 - 1494 PSI)	PISTON

Leakage

STANDARD	BUBBLE TIGHT (TYPICALLY 10^{-6} atm.cm ³ /sec ⁻¹)
ON REQUEST	HELIUM LEAK TESTED TO 10^{-8} atm.cm ³ /sec ⁻¹

Temperature Range

	TEMPERATURE	BODY MATERIAL
STANDARD	-10°C TO +100°C	ALL
OPTION	-40°C TO +150°C	CONSULT IVP

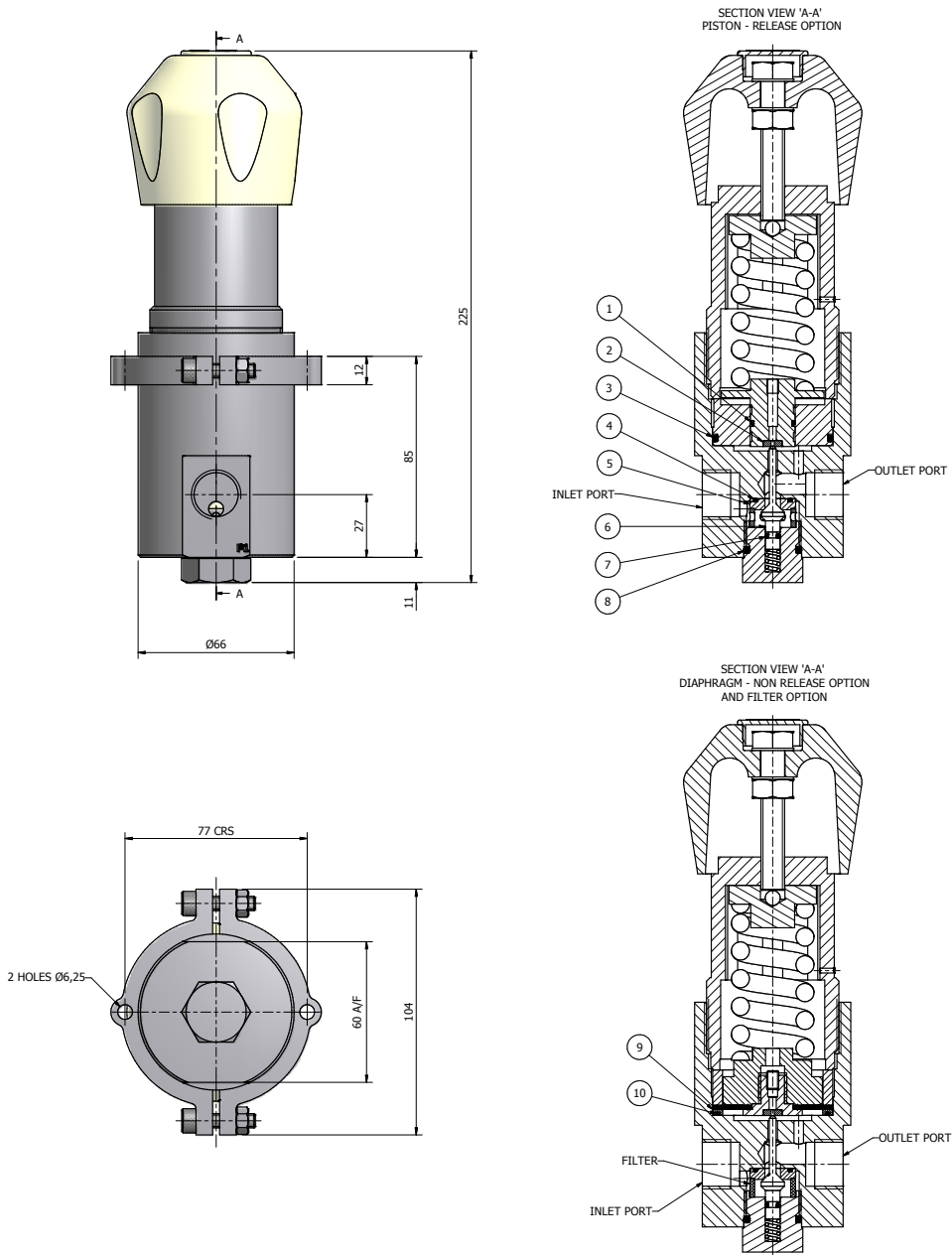
Valve Size and flow area

NOMINAL SIZE	6.35mm (1/4")
ORIFICE AREA A1	24mm ² (0.037 in ²)
PORT AREA A2	63mm ² (0.099 in ²)
FLOW COEFFICIENT	Kv = 0.72 (Cv = 0.84)

Spares Code

SPARES	OUTLET PRESSURE	ELASTOMER	HYDRAULIC
J55SPS	M (0.1-5 BAR) R (0.1-20 BAR) W (5.2-52 BAR) Y (10.3-103 BAR)	N (NITRILE) V (FLUOROCARBON) E (EPDM)	(BLANK NOT REQUIRED) H (HYDRAULIC)

Technical Specifications



Ordering Code

ITEM	DESCRIPTION	MATERIAL	QTY	REQUIRED	
1	'O' RING	Rubber	1	*	*
2	SEAT	Nylon 66	1	*	*
3	'O' RING	Rubber	1	*	*
4	'O' RING	Rubber	1	*	*
5	VALVE SEAT	Nylon 66	1	*	*
6	VALVE	St/Stl 10088 1.4401	1	*	*
7	'O' RING	Rubber	1	*	*
8	'O' RING	Rubber	1	*	*
9	DIAPHRAGM	Rubber	1	*	*
10	'O' RING	Rubber	1	*	*

PISTON VARIANT

DIAPHRAGM VARIANT