

Spring Loaded Pressure Maintaining Valve

L08 is a 5mm spring loaded pressure maintaining valve, used for quick and accurate control of inlet pressures. Ideal for low, medium and high pressure applications. It is manually adjustable for maintaining a set pressure of upstream media.

For an operational overview, please refer to pages 18 and 19.



Standard Features

Valve Size:

- 5mm

Materials of construction:

- BODY - ALUMINIUM - L168-T6511
- VALVE - STAINLESS STEEL - BS EN 10088 1.4305
- SEAT - PEEK
- ELASTOMERS - HIGH NITRILE

Connections:

- 1/2" BSPP (INLET & OUTLET)

Maximum Inlet Pressure:

- 420 BAR (6092 PSI)

Set Pressure Range:

- 10 - 400 BAR (145 - 5820 PSI)

Media:

- GASES

Weight:

- 2.5Kg (5.5lb) ST STL, 2.3Kg (5lb) ALU

Additional Features

- BASE MOUNTING
- PANEL MOUNTING BRACKET
- ADJUSTABLE SET PRESSURE

Options

Materials of construction:

- BODY - STAINLESS STEEL - BS EN 10088 1.4401
- ELASTOMERS - FLUOROCARBON OR EPDM

Connections:

- 3/8" BSPP (INLET & OUTLET)
- 1/2" OR 3/8" NPT (INLET & OUTLET)

Applications

- Compressors
- Dryer systems
- Filter systems
- Cylinder filling
- Brewery plants

Ordering Information

TYPE	VALVE SEAT SIZE	MATERIAL OPTION	CONNECTIONS	OUTLET PRESSURE	ELASTOMER
L08	B (5mm)	A9 (ST/STL) T0 (ALUMINIUM)	E2 (3/8" BSPP) E3 (1/2" BSPP) A2 (3/8" NPT) A3 (1/2" NPT)	1(10-150 BAR) 4(150 - 270 BAR) 6(270 - 400 BAR)	N (NITRILE) V (FLUOROCARBON) E (EPDM)

ORDERING INFORMATION EXAMPLE:

L08BA9E24V

Notes

Technical Specifications

Pressure

	PRESSURE
TEST (PROOF) PRESSURE	630 BAR (9137 PSI)
MAXIMUM INLET PRESSURE	420 BAR (6090 PSI)

Inlet Reduced Pressure Ranges

PRESSURE
10 - 150 BAR (145 - 2175 PSI)
150 - 270 BAR (2175 - 3915 PSI)
270 - 400 BAR (3915 - 5800 PSI)

Leakage

STANDARD	BUBBLE TIGHT (TYPICALLY 10^{-6} atm.cm ³ /sec ⁻¹)
ON REQUEST	HELIUM LEAK TESTED TO 10^{-8} atm.cm ³ /sec ⁻¹

Temperature Range

	TEMPERATURE	BODY MATERIAL
STANDARD	-10°C TO +100°C	ALL
OPTION	-40°C TO +150°C	CONSULT IVP

Valve Size and Flow Area

NOMINAL SIZE	5mm (3/8")
ORIFICE AREA A1	19mm ² (0.029 in ²)
PORT AREA A2	63mm ² (0.098in ²)
FLOW COEFFICIENT	Kv = 0.56 (Cv = 0.66)

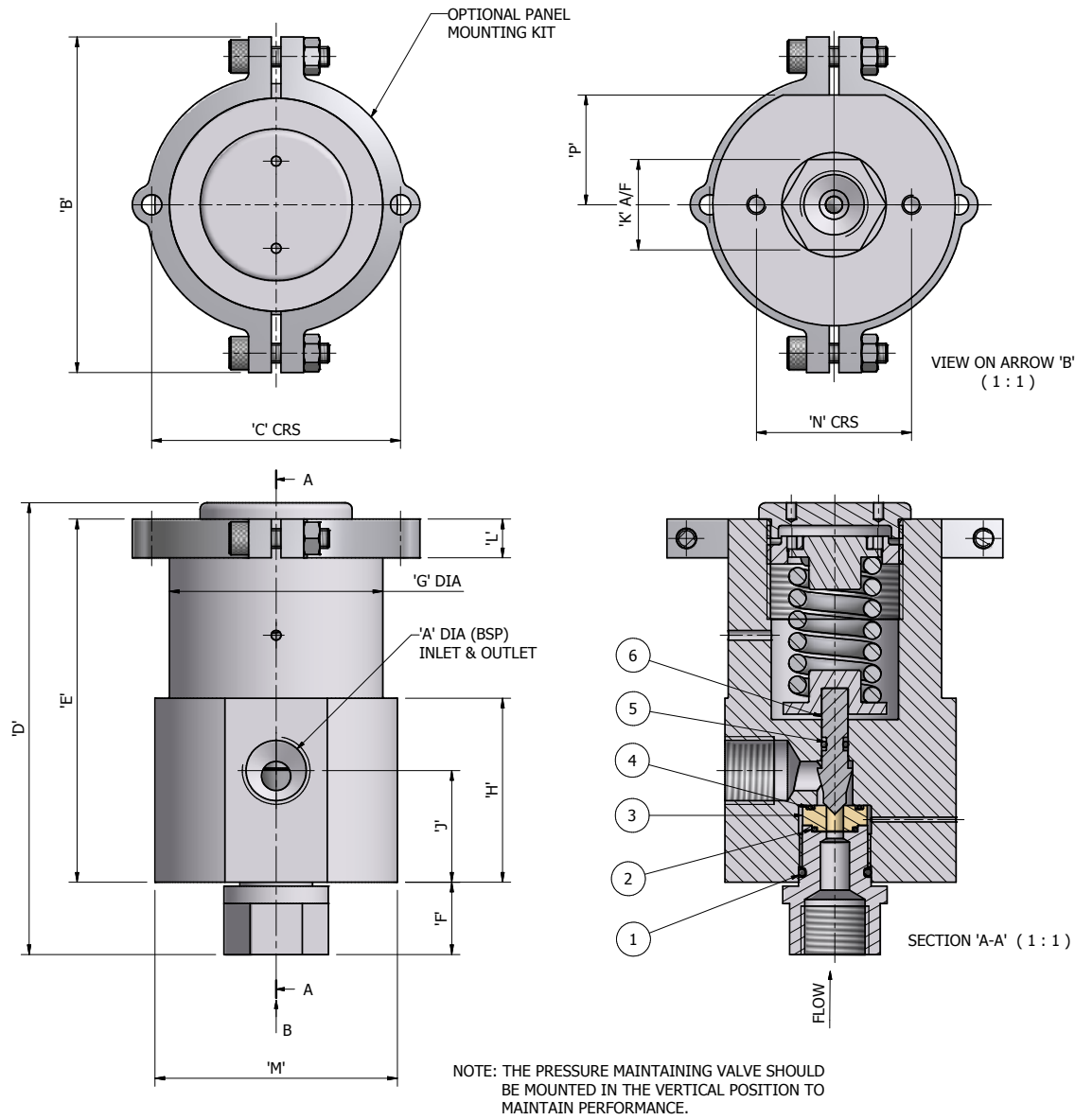
Spares Code

SPARES	ELASTOMER
L08S	N (NITRILE) V (FLUOROCARBON) E (EPDM)

Spares BOM

ITEM	DESCRIPTION	MATERIAL	QTY
1	'O' RING	Rubber	1
2	'O' RING	Rubber	1
3	SEAT	Peek	1
4	'O' RING	Rubber	1
5	'O' RING	Rubber	1
6	VALVE	BS EN 10088 1.4401	1

Technical Specifications



Dimensions

'A'	'B'	'C'	'D'	'E'	'F'	'G'	'H'	'J'	'K'	'L'	'M'	'N'	'P'	WEIGHT
1/2"	104	77	140	113	22.5	66	57	34.5	28	12	75	48	34	2.5 Kg
3/8"	104	77	135	113	17	66	54	34.5	28	12	66	48	30	2.3 Kg